

# 5/3-directional valve, Series XV03, closed center, manual override: without detent

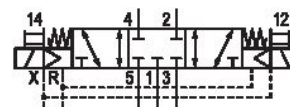
R572A2B60MA00F1

Series  
XV03

2024-09-02

## Series XV03

The AVENTICS XV03 Compact series provides a reliable basis for both compact handling systems and complex automation solutions. It comprises a wide range of valve functions and accessories as well as the required electrical connectivity for all requirements in factory automation and other industries. The associated XVES Connectivity module allows for connection options ranging from simple direct control via D-SUB or terminal strips to a variety of fieldbus protocols. Our one-of-a-kind online configurator makes it easy to configure the complete valve system, including accessories, so that it is perfectly tailored to your application needs.



## Technical data

Industry	Industrial
Activation	Electrically operated
Valve type	Spool valve, positive overlapping
Switching principle	5/3, closed center
Actuating control	Double Solenoid
Connection type	Plate connection
Manual override	without detent
Pilot control exhaust	with directional pilot air exhaust
Nominal flow Q <sub>n</sub>	280 l/min
Max. working pressure	8 bar
Min. control pressure	3 bar
Max. control pressure	8 bar
Protection class with connection	IP65
Operational voltage	24 V DC
Operational voltage DC	24 V

# 5/3-directional valve, Series XV03, closed center, manual override: without detent

Series  
XV03

2024-09-02

R572A2B60MA00F1

Voltage tolerance DC  $-10\%$  /  $+10\%$

---

Pilot	External
LED status display	Yellow
Power consumption DC	0.55 W

Duty cycle	100 %
Typ. switch-on time	15 ms

Blocking principle	Base plate principle, multiple
Min. ambient temperature	$-10\text{ }^{\circ}\text{C}$
Max. ambient temperature	$50\text{ }^{\circ}\text{C}$
Min. medium temperature	$-10\text{ }^{\circ}\text{C}$
Max. medium temperature	$50\text{ }^{\circ}\text{C}$
Medium	Compressed air
Min. oil content of compressed air	$0\text{ mg/m}^3$
Max. oil content of compressed air	$5\text{ mg/m}^3$
Max. particle size	$40\text{ }\mu\text{m}$

Mounting screws	Hexalobular socket (TORX) ISO 10664-T5
Mounting screw tightening torque	0.25 Nm
Tightening torque tolerance	+0,05
Weight	0.061 kg

## Material

Housing material	Polyamide fiber-glass reinforced
Seal material	Acrylonitrile butadiene rubber Hydrogenated acrylonitrile butadiene rubber
Material front plate	Polyamide fiber-glass reinforced
Material end plate	Polyamide fiber-glass reinforced

Part No.	R572A2B60MA00F1
----------	-----------------

# 5/3-directional valve, Series XV03, closed center, manual override: without detent

R572A2B60MA00F1

Series  
XV03

2024-09-02

---

## Technical information

The min. control pressure must be adhered to, since otherwise faulty switching and valve failure may result!

The pressure dew point must be at least 15 °C less than ambient and medium temperature and may not exceed 3 °C.

The oil content of compressed air must remain constant during the life cycle.

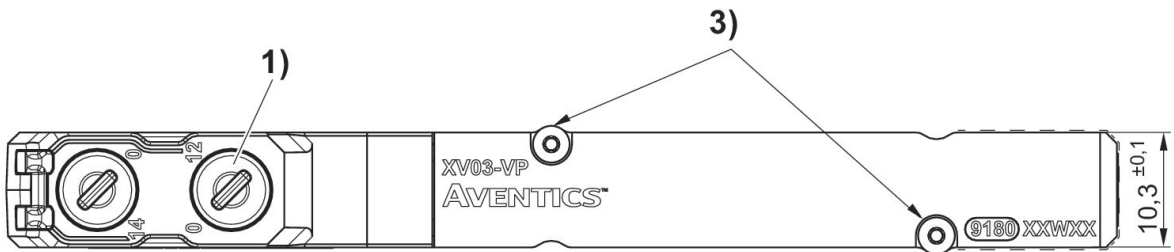
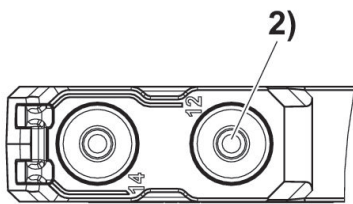
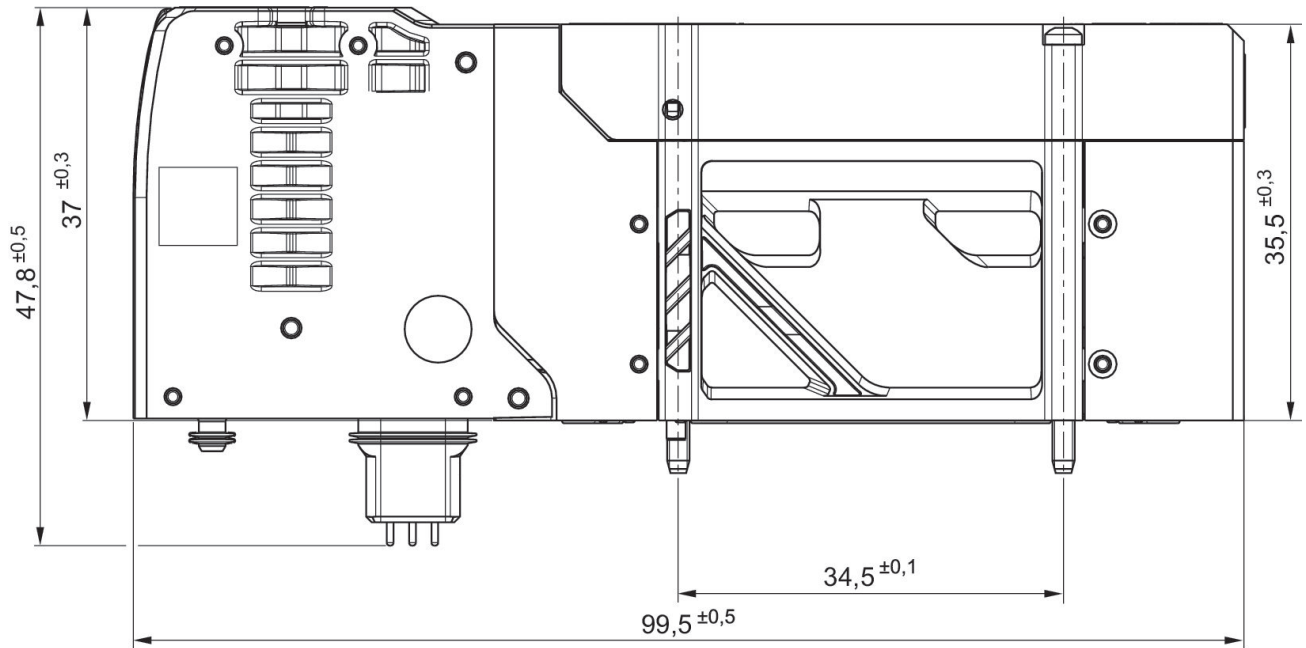
Use only the approved oils from AVENTICS. Further information can be found in the “Technical information” document (available in <https://www.emerson.com/en-us/support>).

# 5/3-directional valve, Series XV03, closed center, manual override: without detent

Series  
XV03

2024-09-02

R572A2B60MA00F1  
Dimensions



- 1) with detent
- 2) without detent
- 3) Tightening torque:  $0,25 \text{ Nm} \pm 0,05$