

# 5/2-directional valve, Series XV03, with spring return, manual override: without detent

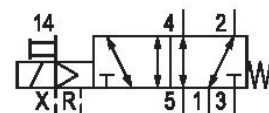
R572A2B10MA00F1

Series  
XV03

2024-09-02

## Series XV03

The AVENTICS XV03 Compact series provides a reliable basis for both compact handling systems and complex automation solutions. It comprises a wide range of valve functions and accessories as well as the required electrical connectivity for all requirements in factory automation and other industries. The associated XVES Connectivity module allows for connection options ranging from simple direct control via D-SUB or terminal strips to a variety of fieldbus protocols. Our one-of-a-kind online configurator makes it easy to configure the complete valve system, including accessories, so that it is perfectly tailored to your application needs.



## Technical data

|                                  |                                    |
|----------------------------------|------------------------------------|
| Industry                         | Industrial                         |
| Activation                       | Electrically operated              |
| Valve type                       | Spool valve, positive overlapping  |
| Switching principle              | 5/2, with spring return            |
| Actuating control                | Double Solenoid                    |
| Connection type                  | Plate connection                   |
| Manual override                  | without detent                     |
| Pilot control exhaust            | with directional pilot air exhaust |
| Nominal flow Qn                  | 345 l/min                          |
| Max. working pressure            | 8 bar                              |
| Min. control pressure            | 3 bar                              |
| Max. control pressure            | 8 bar                              |
| Protection class with connection | IP65                               |
| Operational voltage              | 24 V DC                            |
| Operational voltage DC           | 24 V                               |

# 5/2-directional valve, Series XV03, with spring return, manual override: without detent

Series  
XV03

2024-09-02

R572A2B10MA00F1

Voltage tolerance DC -10 % / +10 %

---

|                      |          |
|----------------------|----------|
| Pilot                | External |
| LED status display   | Yellow   |
| Power consumption DC | 0.55 W   |

|                      |       |
|----------------------|-------|
| Duty cycle           | 100 % |
| Typ. switch-on time  | 15 ms |
| Typ. switch-off time | 30 ms |

|                                    |                                |
|------------------------------------|--------------------------------|
| Blocking principle                 | Base plate principle, multiple |
| Min. ambient temperature           | -10 °C                         |
| Max. ambient temperature           | 50 °C                          |
| Min. medium temperature            | -10 °C                         |
| Max. medium temperature            | 50 °C                          |
| Medium                             | Compressed air                 |
| Min. oil content of compressed air | 0 mg/m <sup>3</sup>            |
| Max. oil content of compressed air | 5 mg/m <sup>3</sup>            |
| Max. particle size                 | 40 µm                          |

|                                  |  |
|----------------------------------|--|
| Mounting screws                  | Hexalobular socket (TORX) ISO 10664-T5 |
| Mounting screw tightening torque | 0.25 Nm                                |
| Tightening torque tolerance      | +0,05                                  |
| Weight                           | 0.055 kg                               |

## Material

|                      |   |
|----------------------|---|
| Housing material     | Polyamide fiber-glass reinforced  |
| Seal material        | Acrylonitrile butadiene rubber<br>Hydrogenated acrylonitrile butadiene rubber |
| Material front plate | Polyamide fiber-glass reinforced  |
| Material end plate   | Polyamide fiber-glass reinforced  |

|          |                 |
|----------|-----------------|
| Part No. | R572A2B10MA00F1 |
|----------|-----------------|

# 5/2-directional valve, Series XV03, with spring return, manual override: without detent

R572A2B10MA00F1

Series  
XV03

2024-09-02

---

## Technical information

The min. control pressure must be adhered to, since otherwise faulty switching and valve failure may result!

The pressure dew point must be at least 15 °C less than ambient and medium temperature and may not exceed 3 °C.

The oil content of compressed air must remain constant during the life cycle.

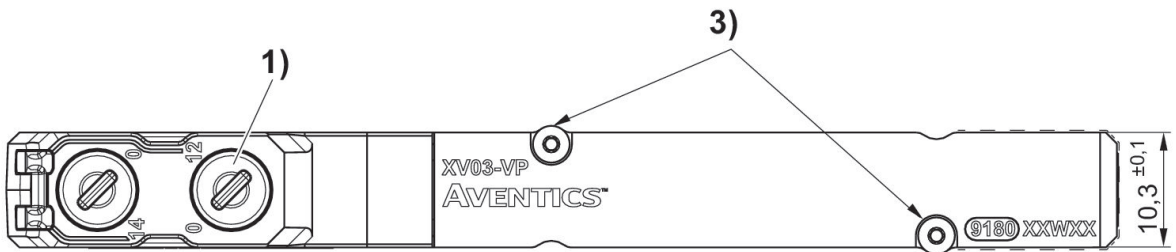
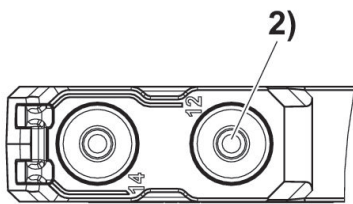
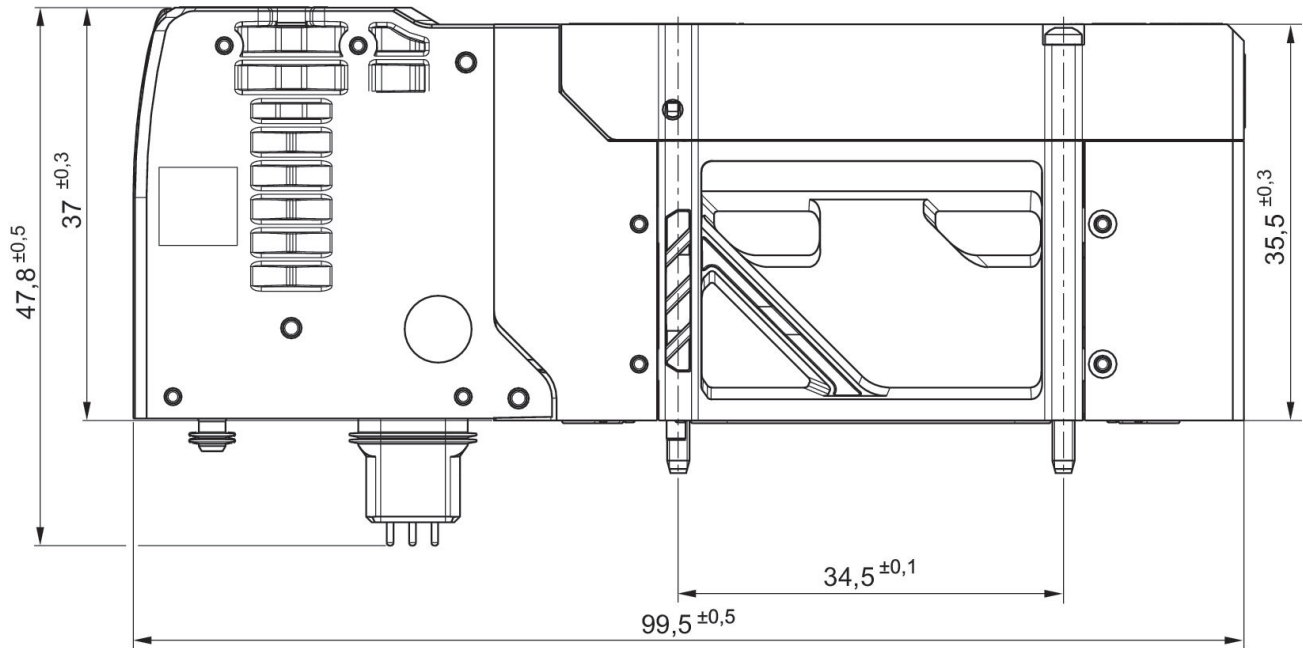
Use only the approved oils from AVENTICS. Further information can be found in the “Technical information” document (available in <https://www.emerson.com/en-us/support>).

# 5/2-directional valve, Series XV03, with spring return, manual override: without detent

Series  
XV03

2024-09-02

R572A2B10MA00F1  
Dimensions



- 1) with detent
- 2) without detent
- 3) Tightening torque:  $0,25 \text{ Nm} \pm 0,05$