

AVENTICS Series ITS Tie rod cylinders (ISO 15552)

The AVENTICS Series ITS (ISO 15552) cylinders are often chosen when extremely large loads need to be moved efficiently and under control with the familiar ease of operation. The Series ITS (ISO 15552) cylinders are easily configurable to your application needs.



Technical data

Industry	Industrial
Standards	ISO 15552
Piston Ø	320 mm
Stroke	80 mm
Ports	G 1
Functional principle	Double-acting
Cushioning	Pneumatic adjustable cushioning
Magnetic piston	Piston with magnet
Environmental requirements	Industry standard cold-resistant
Piston rod thread - type	External thread
Piston rod thread	M48x2
Piston rod	single
Scraper	Cold-Resistant Scraper
Pressure for determining piston forces	6,3 bar
Retracting piston force	48704 N
Extracting piston force	50668 N
Min. ambient temperature	-40 °C
Max. ambient temperature	70 °C
Min. working pressure	2 bar

Tie rod cylinder ISO 15552, Series ITS

R481604674

Series ITS

2025-08-05

Max. working pressure	10 bar
Cushioning length	56 mm
Cushioning energy	190 J
Weight 0 mm stroke	46.89 kg
Weight +10 mm stroke	0.61 kg
Stroke max.	2500 mm
Medium	Compressed air
Min. medium temperature	-40 °C
Max. medium temperature	70 °C
Max. particle size	50 µm
Min. oil content of compressed air	0 mg/m ³
Max. oil content of compressed air	5 mg/m ³
Clamping piece for magnetic field sensor necessary	Clamping piece for magnetic field sensor necessary

Material

Piston rod	Stainless Steel
Scraper material	Polyurethane metal
Material tie-rod	Stainless Steel
Seal material	Acrylonitrile butadiene rubber
Material, front cover	Die-cast aluminum
Cylinder tube	Aluminum
End cover	Die-cast aluminum
Nut for piston rod	Steel, chrome-plated
Part No.	R481604674

Technical information

The pressure dew point must be at least 15 °C less than ambient and medium temperature and may not exceed 3 °C.

The oil content of compressed air must remain constant during the life cycle.

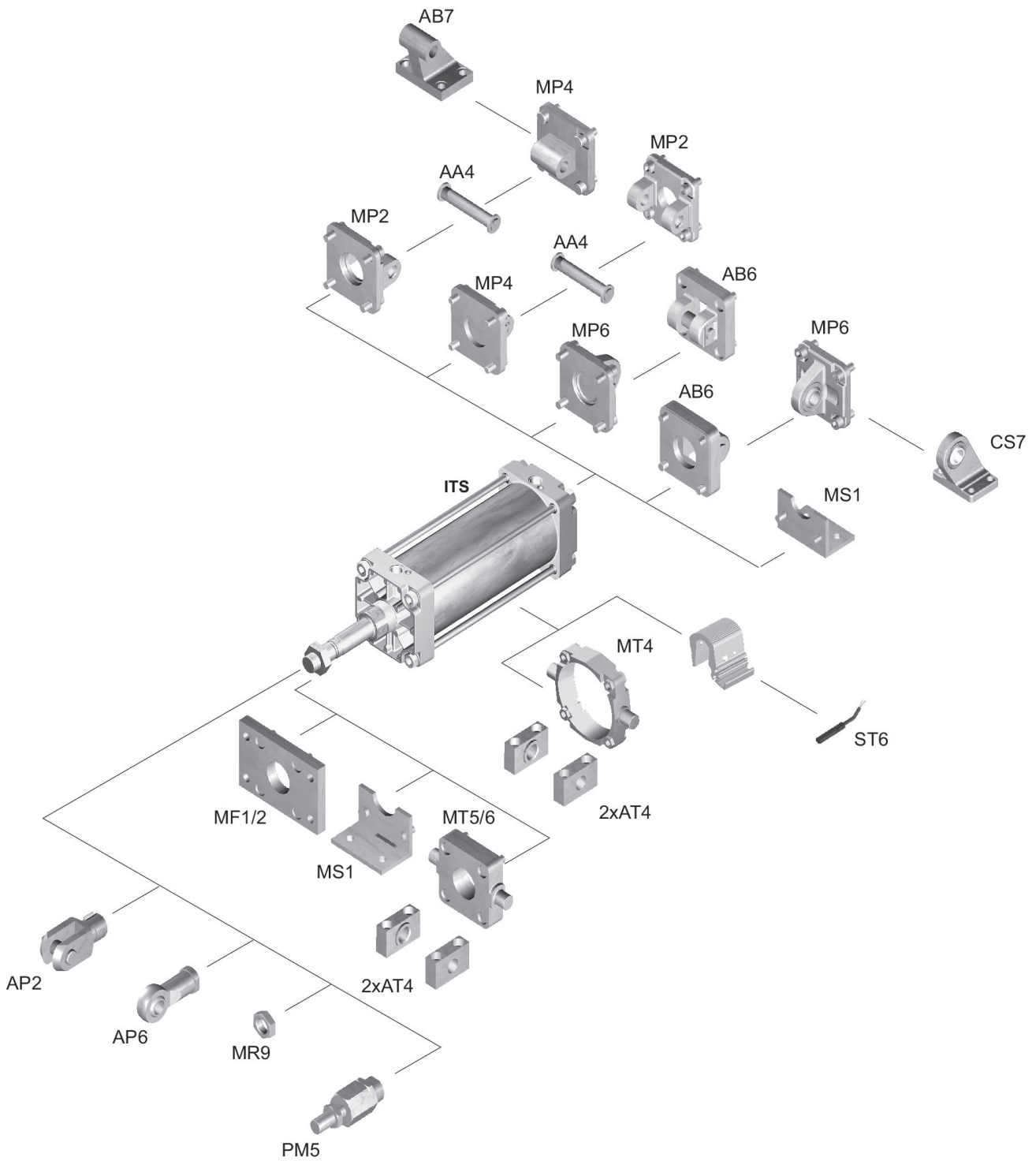
Use only the approved oils from AVENTICS. Further information can be found in the "Technical information" document (available in <https://www.emerson.com/en-us/support>).

Tie rod cylinder ISO 1552, Series ITS

R481604674

Series ITS

2025-08-05



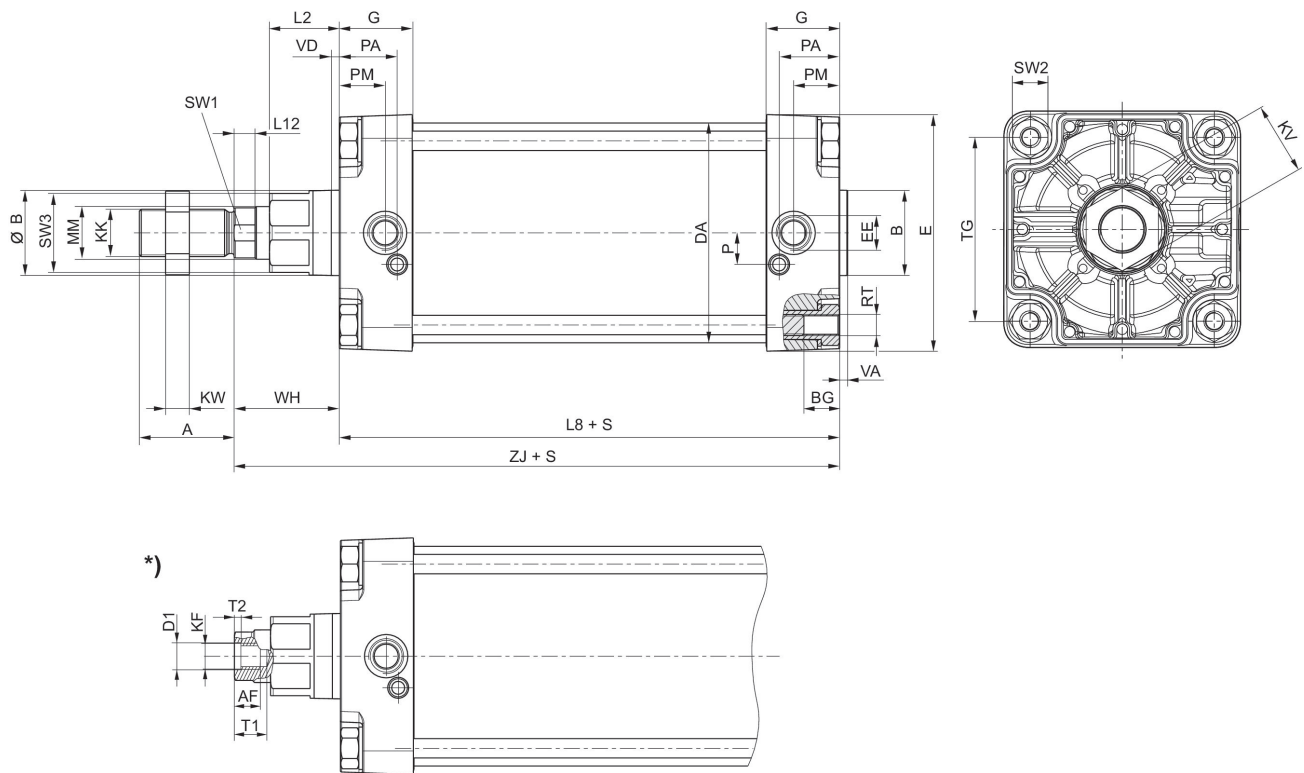
Tie rod cylinder ISO 15552, Series ITS

R481604674

Series ITS

2025-08-05

Dimensions



S = stroke

*) For cylinders with optional piston rod with internal thread

Piston Ø	A	AF	B	ØB	BG	D1	DA	E	EE	G
160	72	36	65	65	24	25	167	180	G 3/4	56
200	72	36	75	75	24	25	210	220	G 3/4	54
250	84	50	90	90	25	31	262	280	G 1	59.5
320	96	55	110	110	28	37	336	350	G 1	61.5

Piston Ø	KF	KK	KV	KW	L2	L8	L12	MM	P	PA
160	M24	M36x2	55	18	53	180	16	40	24	45
200	M24	M36x2	55	18	56	180	16	40	22.5	42
250	M30	M42x2	65	21	67	200	20	50	29	46
320	M36	M48x2	75	24	76	220	23.25	63	30	48

Piston Ø	PM	RT	SW1	SW2	SW3	T1	T2	TG	VA	VD
160	35	M16	36	27	60	40	10	140	6	6
200	30	M16	36	27	60	40	10	175	6	6
250	32.8	M20	46	41	80	60	10	220	10	31
320	37	M24	55	50	95	65	13	270	10	34

Tie rod cylinder ISO 15552, Series ITS

R481604674

Series ITS

2025-08-05

Piston Ø	WH	ZJ
160	80	260
200	95	275
250	105	305.3
320	120	340.5

Cushioning diagram



v_i = Piston velocity [m/s] m = Cushionable mass [kg]