

## AVENTICS Series ITS Tie rod cylinders (ISO 15552)

The AVENTICS Series ITS (ISO 15552) cylinders are often chosen when extremely large loads need to be moved efficiently and under control with the familiar ease of operation. The Series ITS (ISO 15552) cylinders are easily configurable to your application needs.



### Technical data

Industry	Industrial
Standards	ISO 15552
Piston Ø	320 mm
Stroke	80 mm
Ports	G 1
Functional principle	Double-acting
Cushioning	Pneumatic adjustable cushioning
Magnetic piston	Piston with magnet
Environmental requirements	Industry standard Heat resistant
Piston rod thread - type	External thread
Piston rod thread	M48x2
Piston rod	single
Scraper	Heat-Resistant Scraper
Pressure for determining piston forces	6,3 bar
Retracting piston force	48704 N
Extracting piston force	50668 N
Min. ambient temperature	-10 °C
Max. ambient temperature	120 °C
Min. working pressure	2 bar

# Tie rod cylinder ISO 15552, Series ITS

R480627657

Series ITS

2025-08-05

Max. working pressure	10 bar
Cushioning length	56 mm
Cushioning energy	190 J
Weight 0 mm stroke	46.89 kg
Weight +10 mm stroke	0.61 kg
Stroke max.	2500 mm
Medium	Compressed air
Min. medium temperature	-10 °C
Max. medium temperature	120 °C
Max. particle size	50 µm
Min. oil content of compressed air	0 mg/m <sup>3</sup>
Max. oil content of compressed air	5 mg/m <sup>3</sup>

## Material

Piston rod	Stainless Steel
Scraper material	Fluorocaoutchouc
Material tie-rod	Stainless Steel
Seal material	Fluorocaoutchouc
Material, front cover	Die-cast aluminum
Cylinder tube	Aluminum
End cover	Die-cast aluminum
Nut for piston rod	Steel, chrome-plated
Part No.	R480627657

## Technical information

The pressure dew point must be at least 15 °C less than ambient and medium temperature and may not exceed 3 °C.

The oil content of compressed air must remain constant during the life cycle.

Use only the approved oils from AVENTICS. Further information can be found in the "Technical information" document (available in <https://www.emerson.com/en-us/support>).

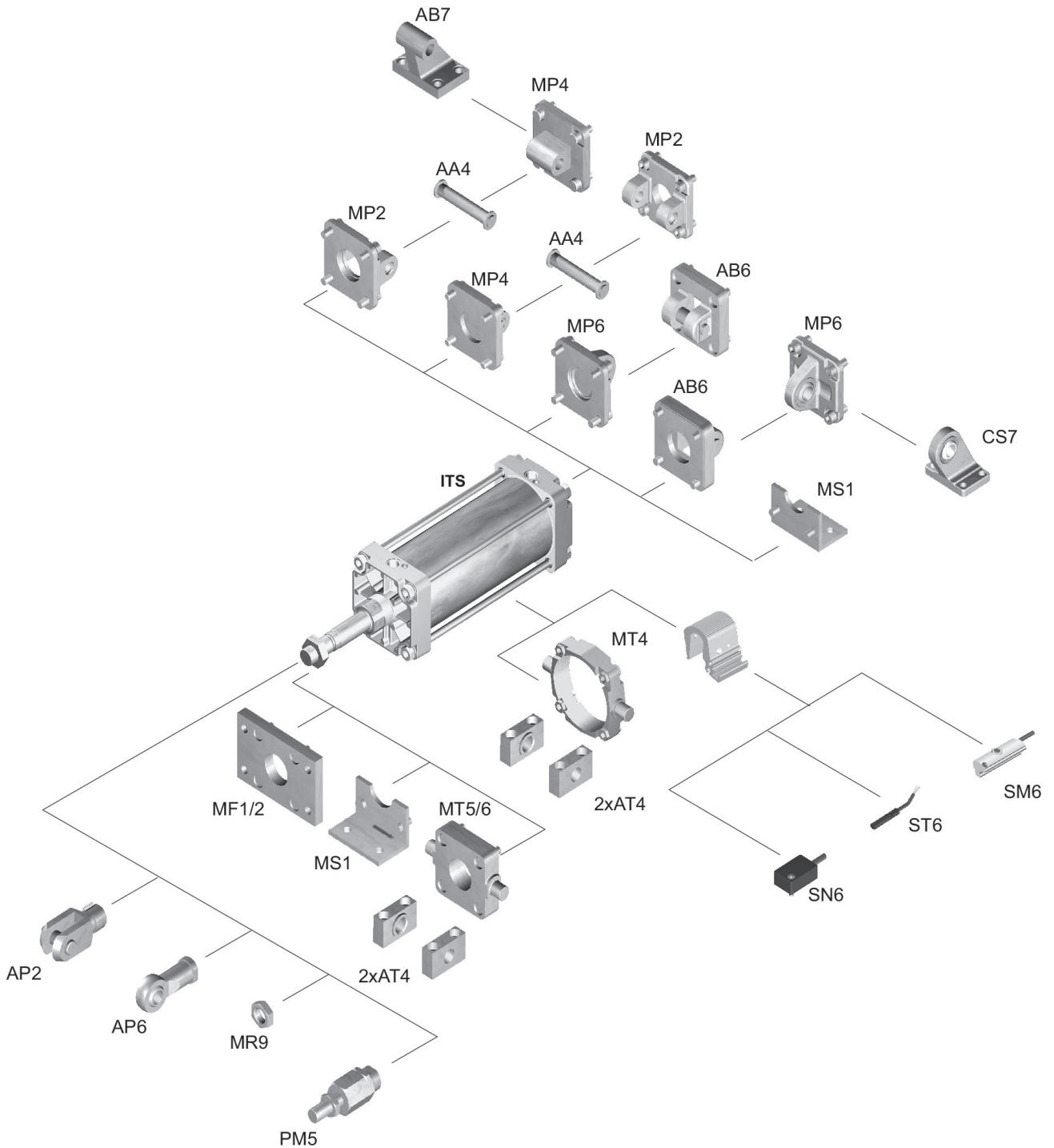
# Tie rod cylinder ISO 15552, Series ITS

R480627657

Series ITS

2025-08-05

## Overview drawing



NOTE: This overview drawing is only for orientation to indicate where the various accessory parts can be fastened to the cylinder. The illustration has been simplified for this purpose. It is thus not possible to derive the dimensions from this overview.

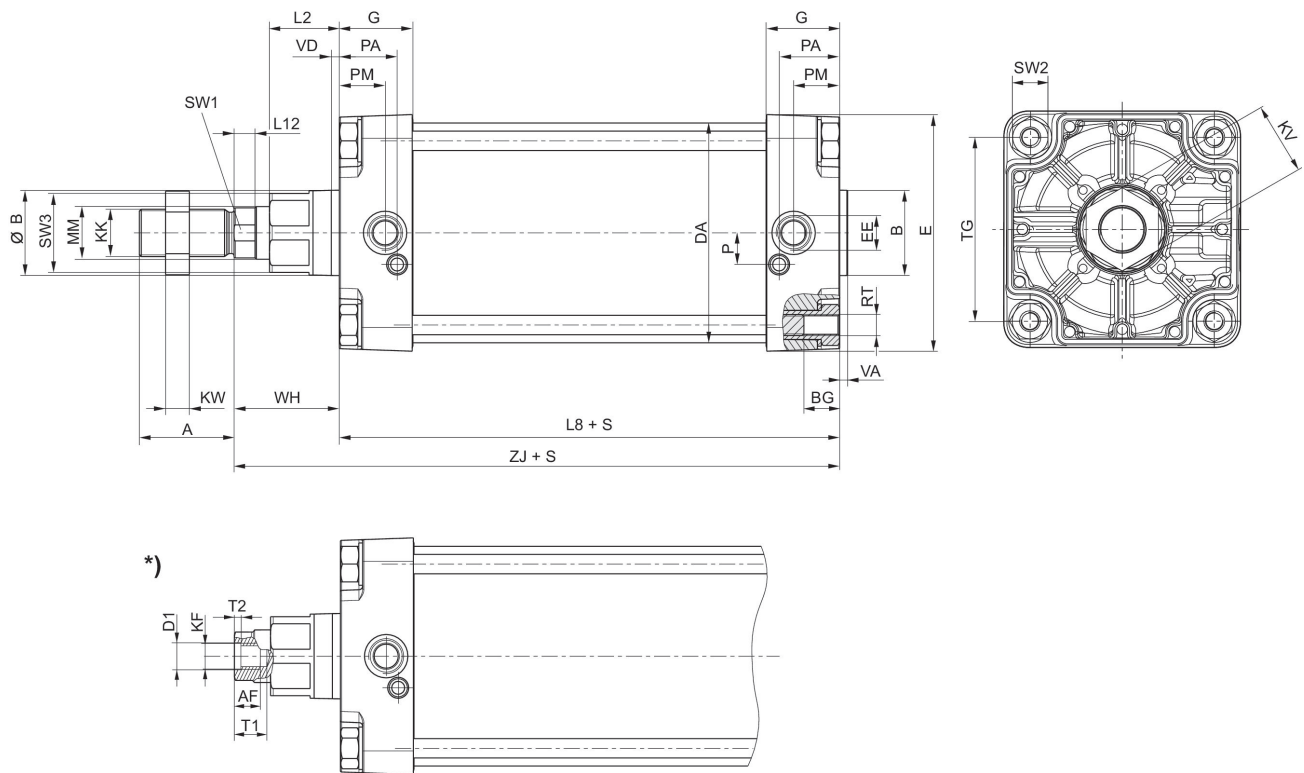
# Tie rod cylinder ISO 15552, Series ITS

R480627657

Series ITS

2025-08-05

## Dimensions



S = stroke

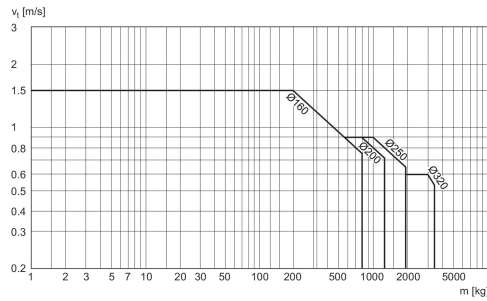
\*) For cylinders with optional piston rod with internal thread

Piston Ø	A	B	ØB	BG	DA	E	EE	G	KK	KV
160	72	65	65	24	167	180	G 3/4	56	M36x2	55
200	72	75	75	24	210	220	G 3/4	54	M36x2	55
250	84	90	90	25	262	280	G 1	59.5	M42x2	65
320	96	110	110	28	336	350	G 1	61.5	M48x2	75

Piston Ø	KW	L2	L8	L12	MM	P	PA	PM	RT	SW1
160	18	53	180	16	40	24	45	35	M16	36
200	18	56	180	16	40	22.5	42	30	M16	36
250	21	67	200	20	50	29	46	32.8	M20	46
320	24	76	220	23.25	63	30	48	37	M24	55

Piston Ø	SW2	SW3	TG	VA	VD	WH	ZJ
160	27	60	140	6	6	80	260
200	27	60	175	6	6	95	275
250	41	80	220	10	31	105	305.3
320	50	95	270	10	34	120	340.5

## Cushioning diagram



$v_t$  = Piston velocity [m/s]  $m$  = Cushionable mass [kg]