

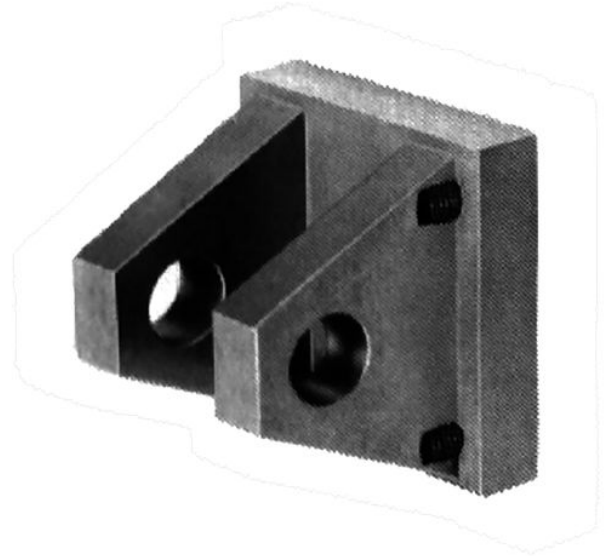
# Gabelbefestigung, Bohrungsdurchmesser: $\varnothing 5$ "

Gabelbefestigung  
2024-03-26

R433012632

---

## AVENTICS Gabelbefestigungen



### Technische Daten

Branche

Industrie

### Werkstoff

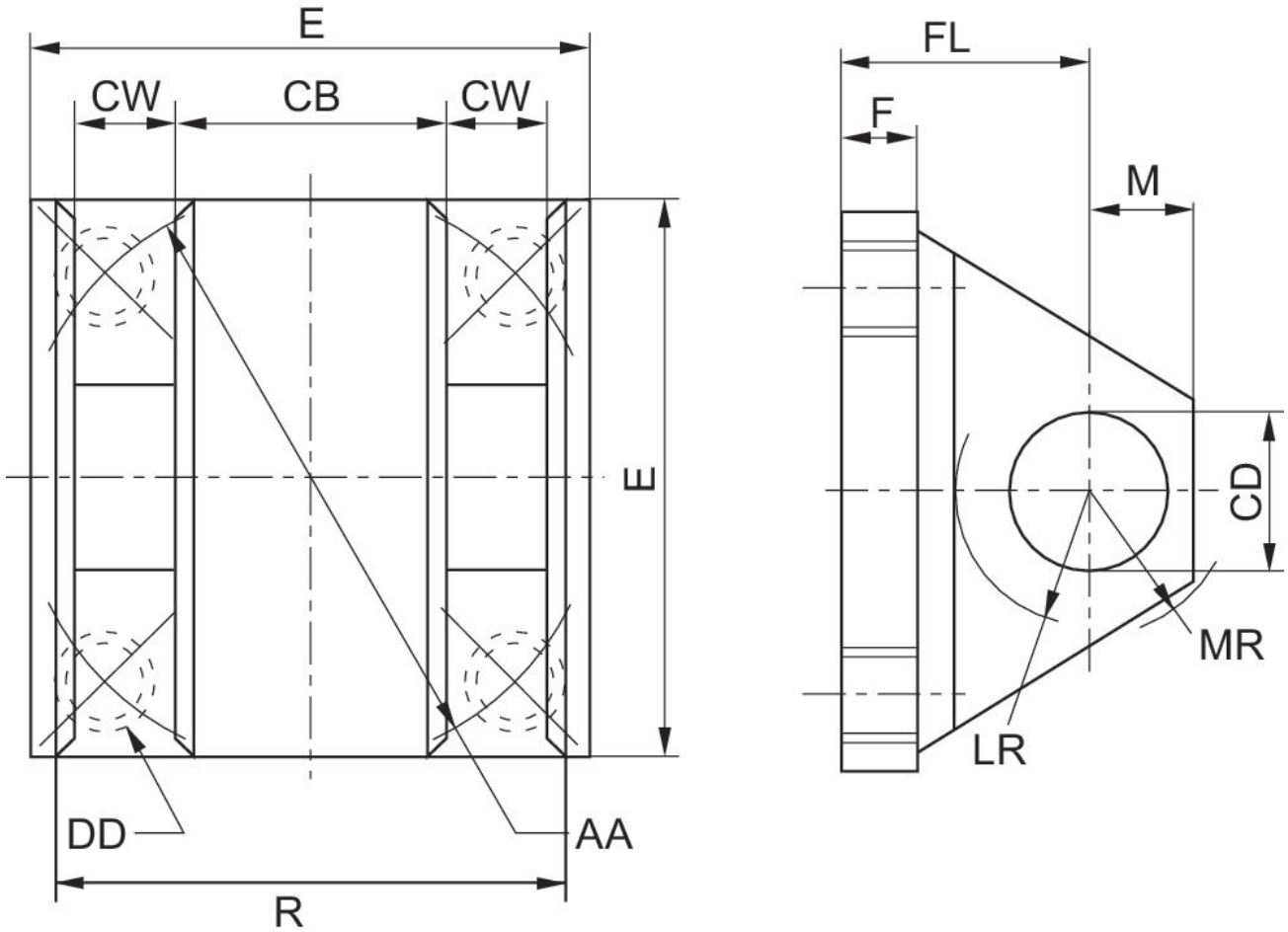
Materialnummer

R433012632

# Gabelbefestigung, Bohrungsdurchmesser: $\varnothing$ 5" - 6"

2024-03-26

R433012632



| Material-nummer | $\varnothing$ | E    | F    | M    | AA   | CB   | CD    | CW     | DD     |
|-----------------|---------------|------|------|------|------|------|-------|--------|--------|
| R433012631      | 2.5           | 0.38 | 0.5  | 2.3  | 0.75 | 0.5  | 0.5   | 3/8-24 | 1.3    |
| R433012632      | 3             | 0.63 | 0.75 | 2.9  | 1.25 | 0.75 | 0.63  | 1/2-20 | 1.88   |
| R433012633      | 5.0           | 3.5  | 0.63 | 0.75 | 3.6  | 1.25 | 0.75  | 0.63   | 1/2-20 |
| R433012634      | 5.0 & 6.0     | 4.5  | 0.75 | 1.00 | 4.6  | 1.5  | 1.00  | 0.75   | 5/8-18 |
| R433012635      | 6.0           | 5.0  | 0.88 | 1.38 | 5.4  | 2.00 | 1.375 | 1.00   | 5/8-18 |

| FL   | LR   | MR   |
|------|------|------|
| 0.63 | 0.56 |      |
| 0.88 | 0.88 |      |
| 1.88 | 0.88 | 1.25 |
| 2.25 | 1.19 | 1.13 |
| 3.00 | 1.75 | 1.63 |