

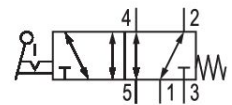
5/2-directional valve, Series CD07, Rotary lever, with detent

R432016627

2025-12-08

Series CD07

Q_n = 1200 ... 1400 l/min



Technical data

Industry	Industrial
Activation	Mechanically operated
Frame size	CD07 - inch
Valve type	Spool valve, positive overlapping
Switching principle	5/2, with spring return
Plate connection	Pipe connection
Actuating element	Rotary lever, with detent
Sealing principle	Soft seal
Compressed air connection	1/4 NPT
Compressed air connection type	Internal thread
Compressed air connection input	1/4 NPT
Compressed air connection output	1/4 NPT
Compressed air connection, exhaust	1/4 NPT
Nominal flow Q _n	1200 l/min
Nominal flow Q _n 1 to 2	1200 l/min
Nominal flow Q _n 2 to 3	1200 l/min
Min. working pressure	-0.95 bar
Max. working pressure	10 bar

5/2-directional valve, Series CD07, Rotary lever, with detent

R432016627

2025-12-08

Min. control pressure	-0.95 bar
Max. control pressure	10 bar
Min. actuating force	15 N
ATEX	Suitable for ATEX
Min. ambient temperature	-25 °C
Max. ambient temperature	80 °C
Min. medium temperature	-25 °C
Max. medium temperature	80 °C
Medium	Compressed air
Min. oil content of compressed air	0 mg/m ³
Max. oil content of compressed air	1 mg/m ³
Max. particle size	50 µm

Weight 0.64 kg

Material

Housing material	Die cast zinc Polyamide, fiber-glass reinforced
Seal material	Acrylonitrile butadiene rubber
Material actuating control	Polyoxymethylene
Part No.	R432016627

Technical information

The min. control pressure must be adhered to, since otherwise faulty switching and valve failure may result!

The pressure dew point must be at least 15 °C less than ambient and medium temperature and may not exceed 3 °C.

The oil content of compressed air must remain constant during the life cycle.

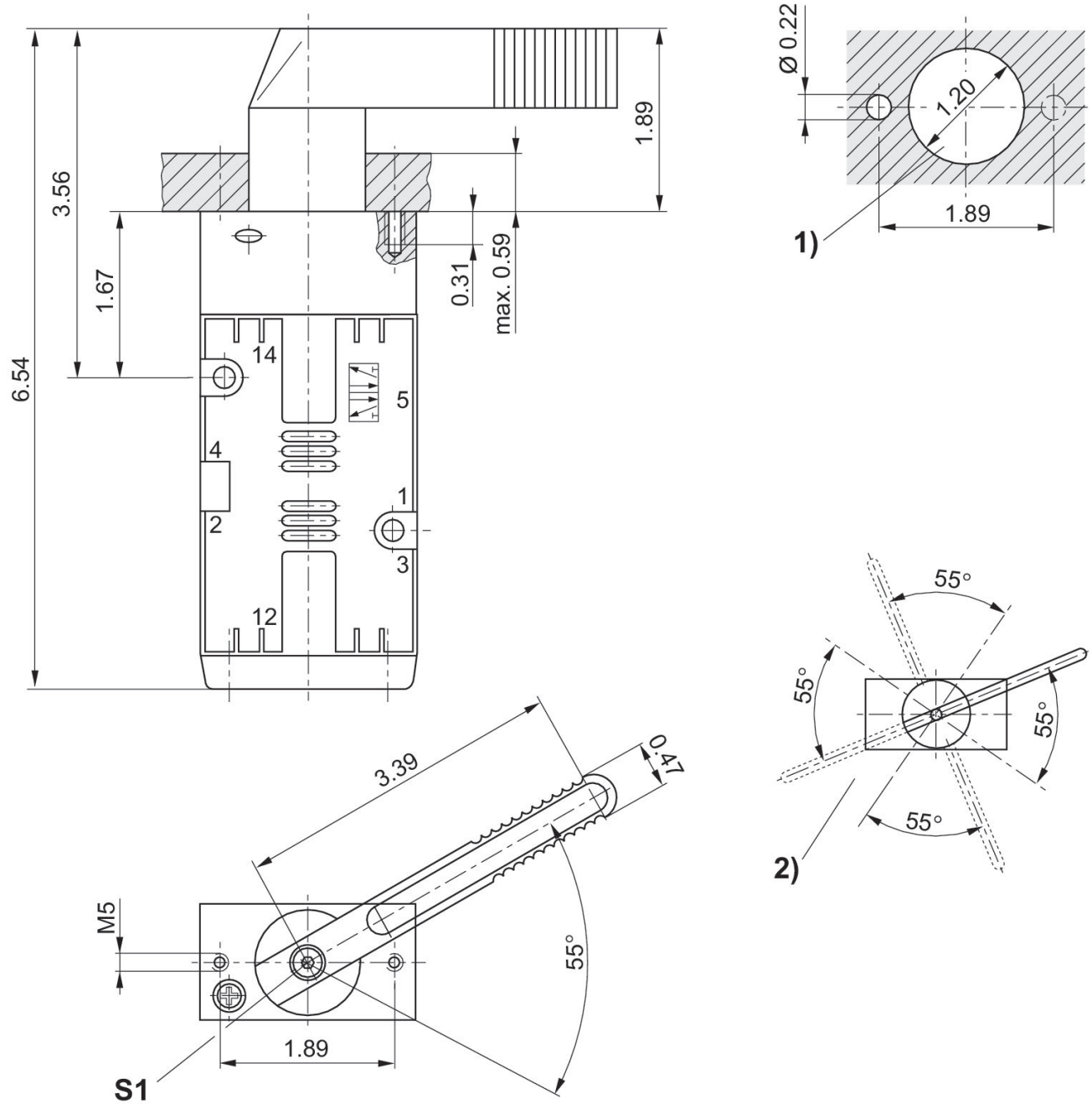
Use only the approved oils from AVENTICS. Further information can be found in the "Technical information" document (available in <https://www.emerson.com/en-us/support>).

5/2-directional valve, Series CD07, Rotary lever, with detent

R432016627

2025-12-08

Dimensions in inches



1) control panel installation (holes in mounting panel) 2) possible lever positions (basic position of hand lever adjustable in 90° steps after loosening screw "S1").