

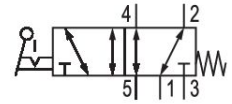
# 5/2-directional valve, Series CD07, Hand lever, with detent, without detent

R432016626

2025-12-08

## Series CD07

Qn = 1200 ... 1400 l/min



## Technical data

Industry	Industrial
Activation	Mechanically operated
Frame size	CD07 - inch
Valve type	Spool valve, positive overlapping
Switching principle	5/2, with spring return
Plate connection	Pipe connection
Actuating element	Hand lever, with detent, without detent
Sealing principle	Soft seal
Compressed air connection	1/4 NPT
Compressed air connection type	Internal thread
Compressed air connection input	1/4 NPT
Compressed air connection output	1/4 NPT
Compressed air connection, exhaust	1/4 NPT
Nominal flow Qn	1200 l/min
Nominal flow Qn 1 to 2	1200 l/min
Nominal flow Qn 2 to 3	1200 l/min
Min. working pressure	-0.95 bar
Max. working pressure	10 bar
Min. control pressure	-0.95 bar
Max. control pressure	10 bar
Min. actuating force	20 N
ATEX	Suitable for ATEX
Min. ambient temperature	-25 °C

# 5/2-directional valve, Series CD07, Hand lever, with detent, without detent

R432016626

2025-12-08

Max. ambient temperature	80 °C
Min. medium temperature	-25 °C
Max. medium temperature	80 °C
Medium	Compressed air
Min. oil content of compressed air	0 mg/m <sup>3</sup>
Max. oil content of compressed air	1 mg/m <sup>3</sup>
Max. particle size	50 µm
Weight	0.62 kg

## Material

Housing material	Die cast zinc Polyamide, fiber-glass reinforced
Seal material	Acrylonitrile butadiene rubber
Material actuating control	Polyoxymethylene
Part No.	R432016626

## Technical information

The min. control pressure must be adhered to, since otherwise faulty switching and valve failure may result!

The pressure dew point must be at least 15 °C less than ambient and medium temperature and may not exceed 3 °C.

The oil content of compressed air must remain constant during the life cycle.

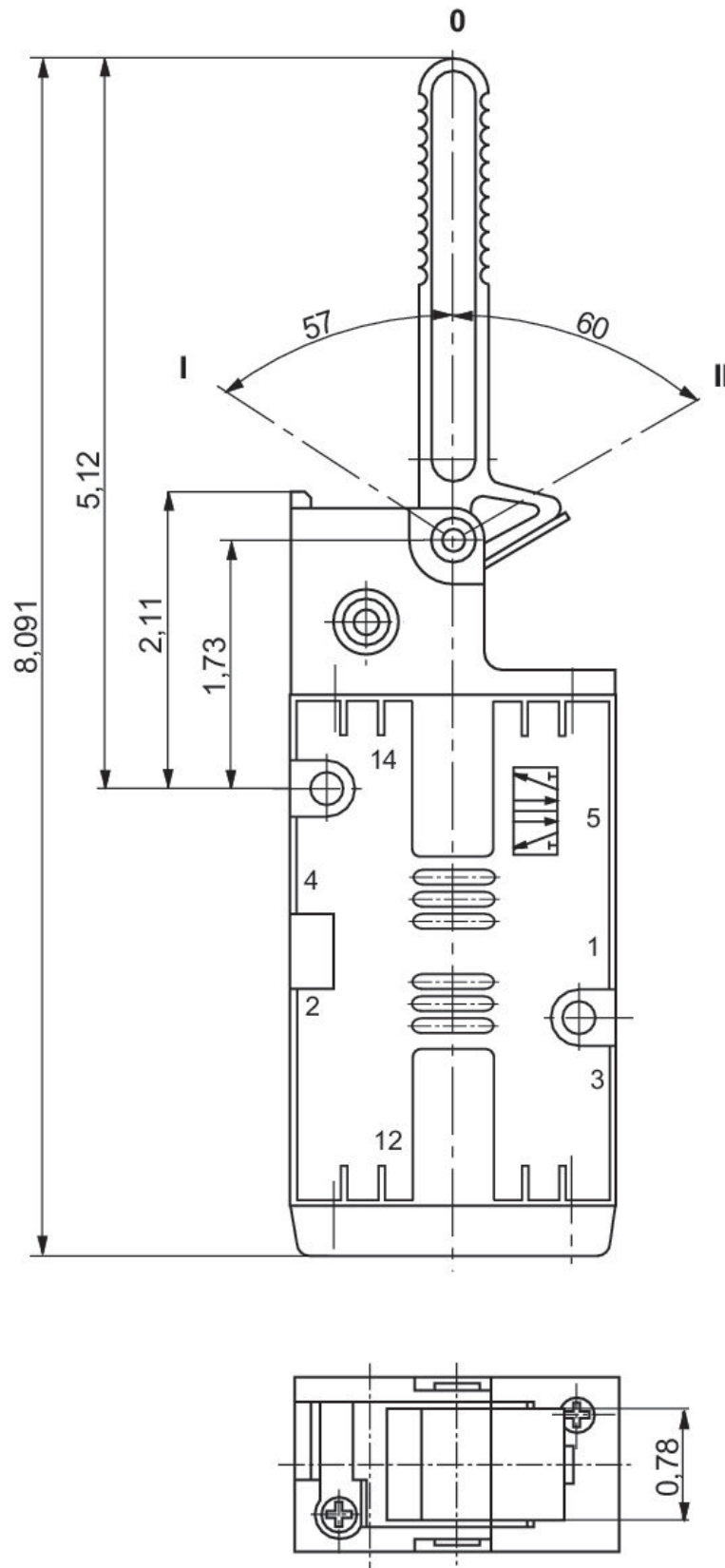
Use only the approved oils from AVENTICS. Further information can be found in the "Technical information" document (available in <https://www.emerson.com/en-us/support>).

# 5/2-directional valve, Series CD07, Hand lever, with detent, without detent

R432016626

2025-12-08

Dimensions in inches



Position 0: initial position, position I: with detent, manual return, position II: automatic spring return