

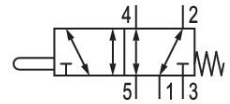
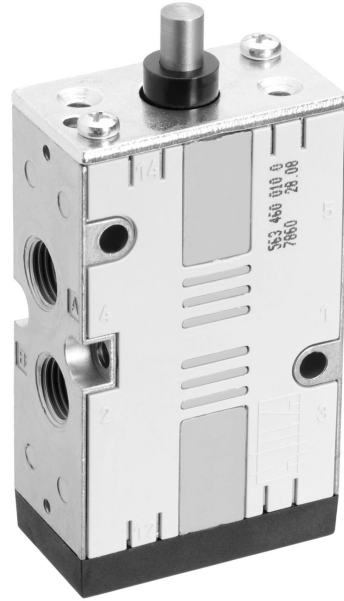
# 5/2-directional valve, Series CD07, Plunger

R432016625

2025-12-08

## Series CD07

Q<sub>n</sub> = 1200 ... 1400 l/min



## Technical data

Industry

Industrial

Activation

Mechanically operated

Frame size

CD07 - inch

Valve type

Spool valve, positive overlapping

Switching principle

5/2, with spring return

Plate connection

Pipe connection

Actuating element

Plunger

Sealing principle

Soft seal

Compressed air connection

1/4 NPT

Compressed air connection type

Internal thread

Compressed air connection input

1/4 NPT

Compressed air connection output

1/4 NPT

Compressed air connection, exhaust

1/4 NPT

Nominal flow Q<sub>n</sub>

1200 l/min

Nominal flow Q<sub>n</sub> 1 to 2

1200 l/min

Nominal flow Q<sub>n</sub> 2 to 3

1200 l/min

Min. working pressure

-0.95 bar

Max. working pressure

10 bar

# 5/2-directional valve, Series CD07, Plunger

R432016625

2025-12-08

Min. control pressure	-0.95 bar
Max. control pressure	10 bar
Min. actuating force	70 N
ATEX	Suitable for ATEX
Min. ambient temperature	-25 °C
Max. ambient temperature	80 °C
Min. medium temperature	-25 °C
Max. medium temperature	80 °C
Medium	Compressed air
Min. oil content of compressed air	0 mg/m <sup>3</sup>
Max. oil content of compressed air	1 mg/m <sup>3</sup>
Max. particle size	50 µm
Weight	0.54 kg

## Material

Housing material	Die cast zinc Polyamide, fiber-glass reinforced
Seal material	Acrylonitrile butadiene rubber
Material actuating control	Stainless Steel
Part No.	R432016625

## Technical information

The min. control pressure must be adhered to, since otherwise faulty switching and valve failure may result!

The pressure dew point must be at least 15 °C less than ambient and medium temperature and may not exceed 3 °C.

The oil content of compressed air must remain constant during the life cycle.

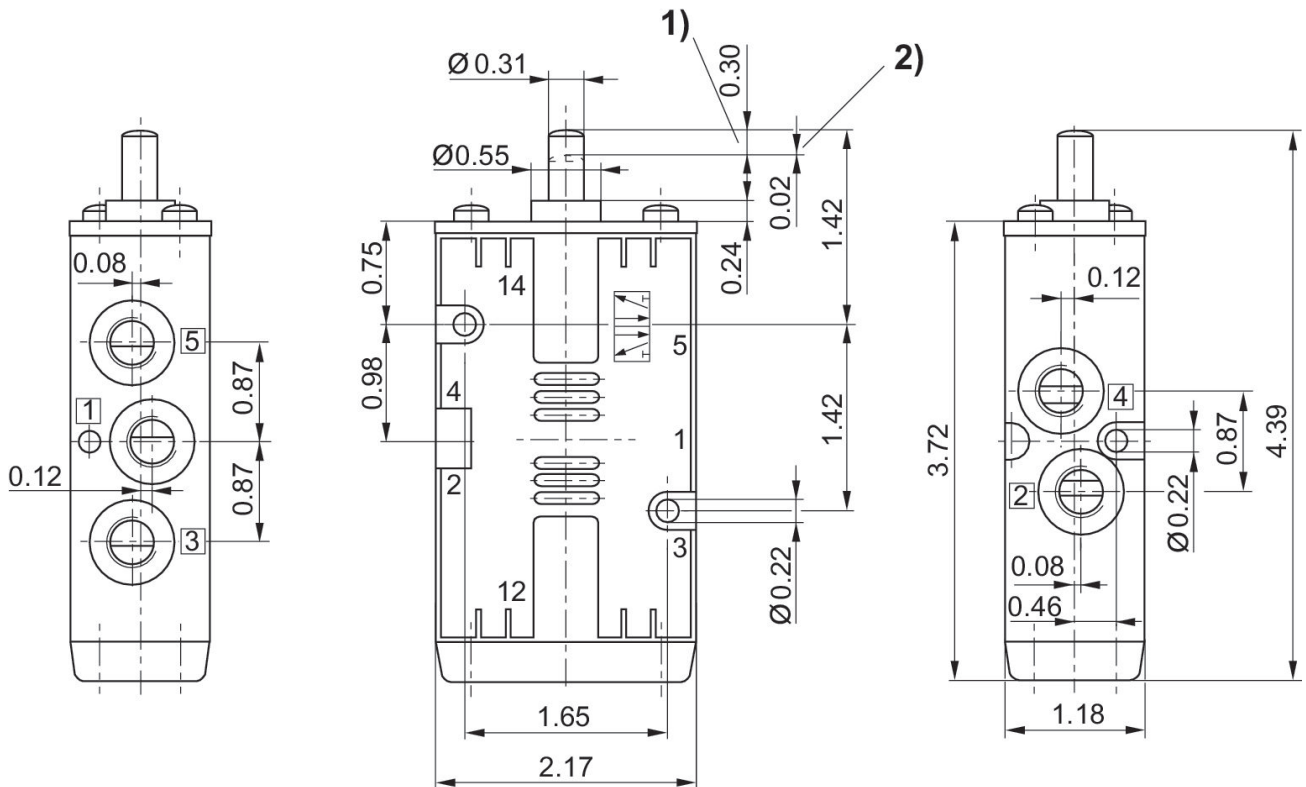
Use only the approved oils from AVENTICS. Further information can be found in the "Technical information" document (available in <https://www.emerson.com/en-us/support>).

# 5/2-directional valve, Series CD07, Plunger

R432016625

2025-12-08

Dimensions in inches



1) Stroke 2) Overstroke  
Dimensions of basic valve apply to all types of actuation.