

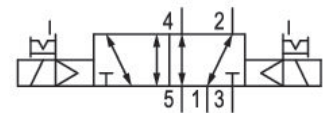
# 5/2-directional valve, Series CD07, double solenoid

R432016587

2025-12-08

## AVENTICS Series CD07 Directional valves

The AVENTICS Series CD consists of various spool valves with an extremely durable die-cast zinc housing. Its electrical, pneumatic, or mechanical actuating controls (roller, lever, pedal, or plunger) make the Series CD ideal for applications in harsh environments.



## Technical data

Industry	Industrial
Activation	Electrically operated
Frame size	CD07 - inch
Valve type	Spool valve, positive overlapping
Switching principle	5/2, double solenoid
Sealing principle	Soft seal
Connection type	Pipe connection
Manual override	with detent
Compressed air connection	1/4 NPT
Compressed air connection type	Internal thread
Standard compressed air connection	according to ISO 228-1
Compressed air connection input	1/4 NPT
Compressed air connection output	1/4 NPT
Compressed air connection, exhaust	1/4 NPT
Pilot control exhaust	with directional pilot air exhaust
Compressed air connection pilot exhaust	M5
Nominal flow Qn	1200 l/min

# 5/2-directional valve, Series CD07, double solenoid

R432016587

2025-12-08

Nominal flow Qn 1 to 2	1200 l/min
Nominal flow Qn 2 to 3	1200 l/min
Min. working pressure	2 bar
Max. working pressure	10 bar
Min. control pressure	1.5 bar
Max. control pressure	10 bar
Electrical connection type	Plug
Electrical connection size	EN 175301-803, form A
Electrical connection number of poles	3-pin
Connector standard	EN 175301-803:2006
Protection class with connection	IP65
Reverse polarity protection	Protected against polarity reversal
Operational voltage	110 V AC
Operational voltage AC at 50 Hz	110 V
Voltage tolerance AC 50 Hz	-10 % / +10 %
Operational voltage AC at 60 Hz	110 V
Voltage tolerance AC 60 Hz	-10 % / +10 %
Pilot	Internal
Coil width	30 mm
Compatibility index	52
Holding power AC 50 Hz	3.7 VA
Holding power AC 60 Hz	3.7 VA
Switch-on power AC 50 Hz	6.4 VA
Switch-on power AC 60 Hz	6.4 VA
Duty cycle	100 %
Typ. switch-on time	21 ms
Typ. switch-off time	21 ms
Min. ambient temperature	-15 °C
Max. ambient temperature	50 °C
Min. medium temperature	-15 °C
Max. medium temperature	50 °C
Medium	Compressed air
Min. oil content of compressed air	0 mg/m <sup>3</sup>
Max. oil content of compressed air	1 mg/m <sup>3</sup>
Max. particle size	50 µm

# 5/2-directional valve, Series CD07, double solenoid

R432016587

2025-12-08

Mounting on manifold strip	P-strip PRS strip
Weight	0.75 kg

## Material

Housing material	Polyamide, fiber-glass reinforced Die cast zinc
Seal material	Acrylonitrile butadiene rubber

Part No.	R432016587
----------	------------

## Technical information

The min. control pressure must be adhered to, since otherwise faulty switching and valve failure may result!

The pressure dew point must be at least 15 °C less than ambient and medium temperature and may not exceed 3 °C.

The oil content of compressed air must remain constant during the life cycle.

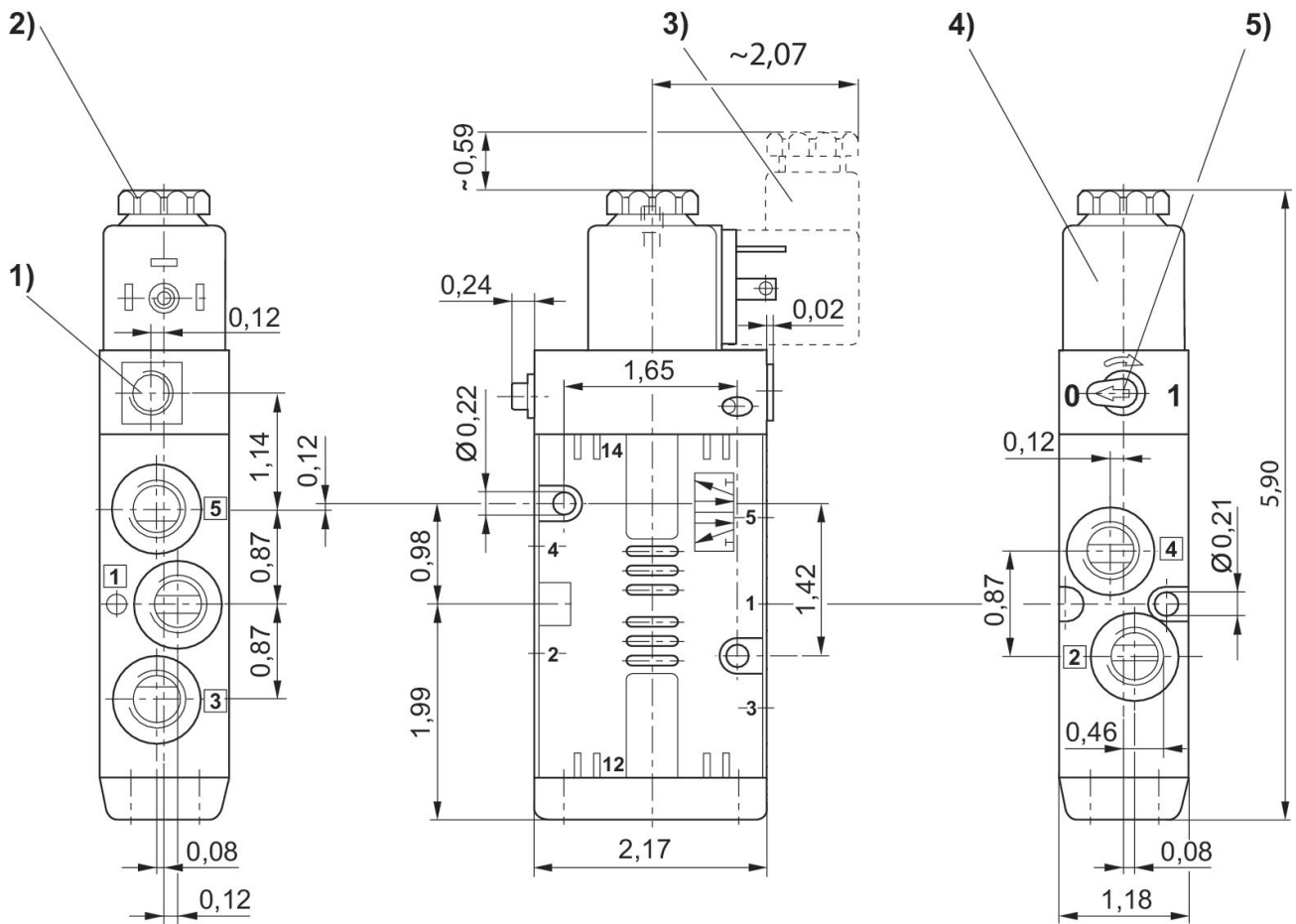
Use only the approved oils from AVENTICS. Further information can be found in the "Technical information" document (available in <https://www.emerson.com/en-us/support>).

# 5/2-directional valve, Series CD07, double solenoid

R432016587

2025-12-08

Dimensions in inches



- 1) Only with separate pilot control G 1/8 2) After removal of cap M5 internal thread 3) Valve plug connector  
4) Coil can be plugged at 45° intervals 5) Manual override