

# Fixed Clevis (MP1 mount)

R432015735

Clevis  
mounting

2025-12-03

## AVENTICS Clevis mountings



### Technical data

Industry	Industrial
Standardization	NFPA
Piston diameter	63.5 mm
Scope of delivery	Clevis mounting incl. mounting screws
Weight	0.635 kg

### Material

Material	Cast Iron
Part No.	R432015735

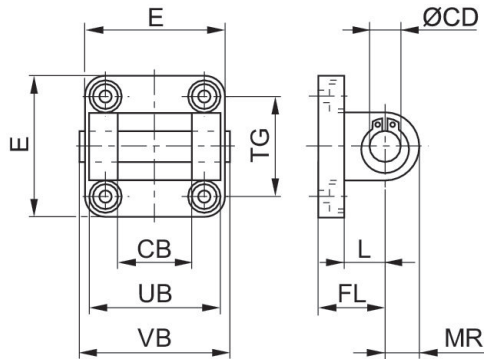
# Fixed Clevis (MP1 mount)

R432015735

Clevis  
mounting

2025-12-03

## Dimensions



## Dimensions in inches

Part No.	Ø	CB H14	Ø CD H9	E	FL	L	MR	UB	VB	TG
R432015731	1.5	0.75	0.500	2.00	0.76	0.38	0.63	-	-	-
R432015733	2.0	0.75	0.500	2.50	0.76	0.38	0.63	-	-	-
<b>R432015735</b>	2.5	0.75	0.500	3.00	0.76	0.38	0.63	-	-	-
R432015737	3.25	1.25	0.750	3.75	1.26	0.63	0.88	-	-	-
R432015739	4.0	1.25	0.750	4.50	1.26	0.63	0.88	-	-	-