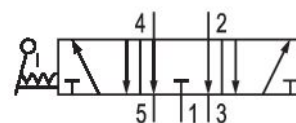


# 5/3-directional valve, Series Rotair®

## R432013835

Series 563 018, 563 131

■ Qn max. [[1100] l/min]



### Technical data

Industry  
Industrial

Activation  
Mechanical

Nominal flow Qn  
1180.8 l/min

Compressed air connection output  
3/8 NPT

Sealing principle  
Soft Seal

Type  
Poppet valve

Min. ambient temperature  
-25 °C

Max. ambient temperature  
10 °C

Min. medium temperature  
-25 °C

Max. medium temperature  
10 °C

Medium  
Compressed air

Compressed air connection input  
3/8 NPT

Compressed air connection, exhaust  
3/8 NPT

Weight  
0.73 kg

Housing material  
Die cast zinc

Seal material  
Buna-N

Part No.  
R432013835

## Technical information

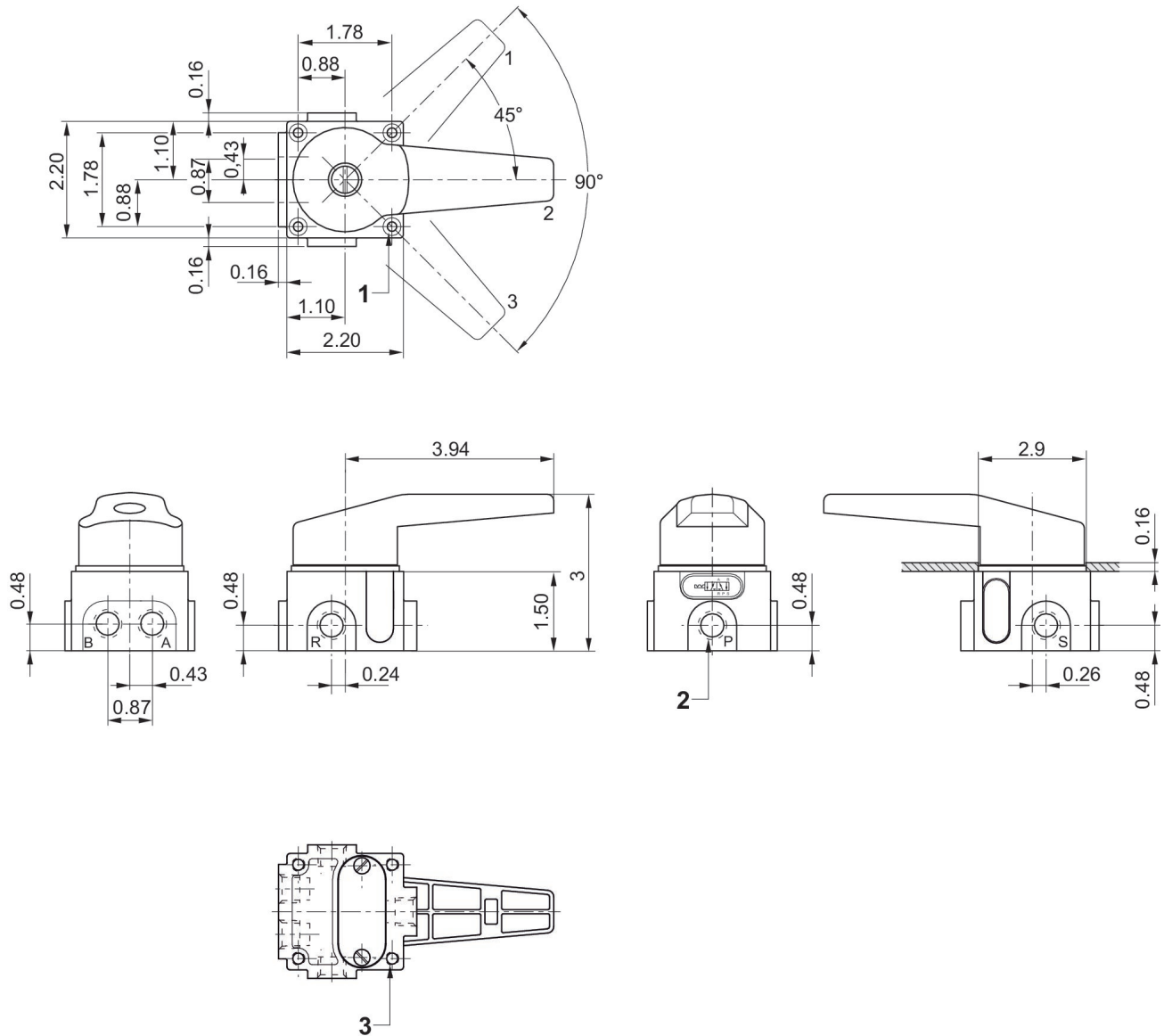
The min. control pressure must be adhered to, since otherwise faulty switching and valve failure may result!

The pressure dew point must be at least 15 °C under ambient and medium temperature and may not exceed 3 °C .

The oil content of compressed air must remain constant during the life cycle.

Use only the approved oils from AVENTICS. Further information can be found in the “Technical information” document (available in <https://www.emerson.com/en-us/support>).

Dimensions in inches



- 1) .31" external diameter X (.145" deep) .18" internal thread X (1.35 deep) = 1.5" through
- 2) Connections [1 ,3 ,5, 2, 4 ]
- 3) 1/4" - 20 UNC-2B X .38" deep