

# 5/3-directional valve, Series Rotair®

R432013833

ROTAIR  
series valve  
block

2024-02-21

## Series 563 018, 563 131

Qn max. 1100 l/min



## Technical data

Industry	Industrial
Activation	Mechanical
Valve type	Poppet valve
Sealing principle	Soft seal
Compressed air connection input	1/8 NPT
Compressed air connection output	1/8 NPT
Compressed air connection, exhaust	1/8 NPT
Nominal flow Qn	1082.4 l/min
Min. ambient temperature	-25 °C
Max. ambient temperature	10 °C
Min. medium temperature	-25 °C
Max. medium temperature	10 °C
Medium	Compressed air
Weight	0.73 kg
<b>Material</b>	
Housing material	Die cast zinc

# 5/3-directional valve, Series Rotair®

R432013833

ROTAIR  
series valve  
block

2024-02-21

Seal material	Buna-N
Part No.	R432013833

## Technical information

The min. control pressure must be adhered to, since otherwise faulty switching and valve failure may result!

The pressure dew point must be at least 15 °C less than ambient and medium temperature and may not exceed 3 °C.

The oil content of compressed air must remain constant during the life cycle.

Use only the approved oils from AVENTICS. Further information can be found in the “Technical information” document (available in <https://www.emerson.com/en-us/support>).

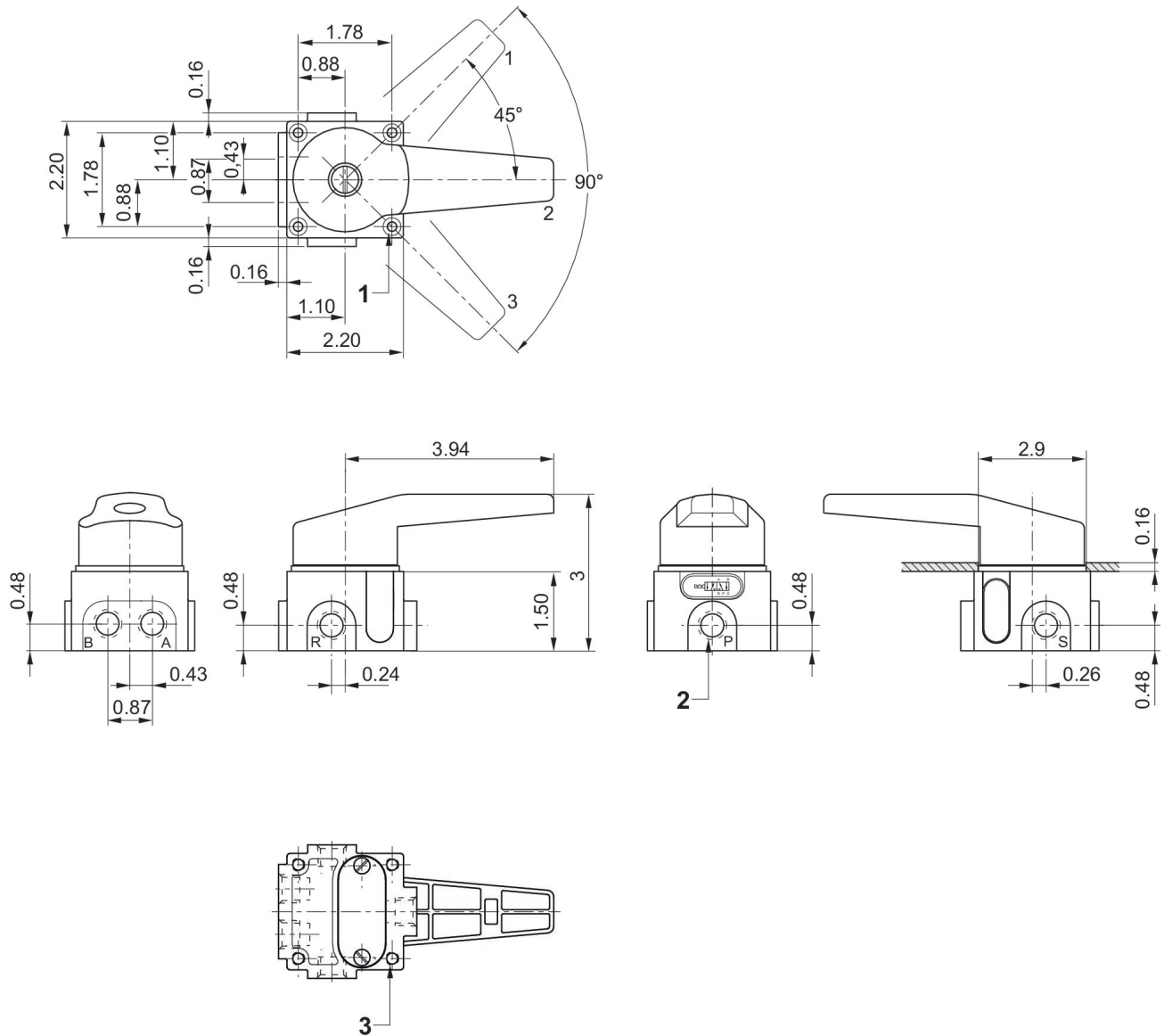
# 5/3-directional valve, Series Rotair®

R432013833

ROTAIR  
series valve  
block

2024-02-21

Dimensions in inches



- 1) .31" external diameter X (.145" deep) .18" internal thread X (1.35 deep) = 1.5" through
- 2) Connections [1 ,3 ,5, 2, 4 ]
- 3) 1/4" - 20 UNC-2B X .38" deep