

R432013813



Technical data

Industry	Industrial
Type	Base plate
Type	Sandwich plate 740, complete with O-rings.
Position	2
Min. working pressure	0 bar
Max. working pressure	10 bar
Min. ambient temperature	-15 °C
Max. ambient temperature	50 °C
Medium	Compressed air
Weight	0.089 kg
Material	
Material base plate	Polyoxymethylene
Seal material	Acrylonitrile butadiene rubber
Part No.	R432013813

Technical information

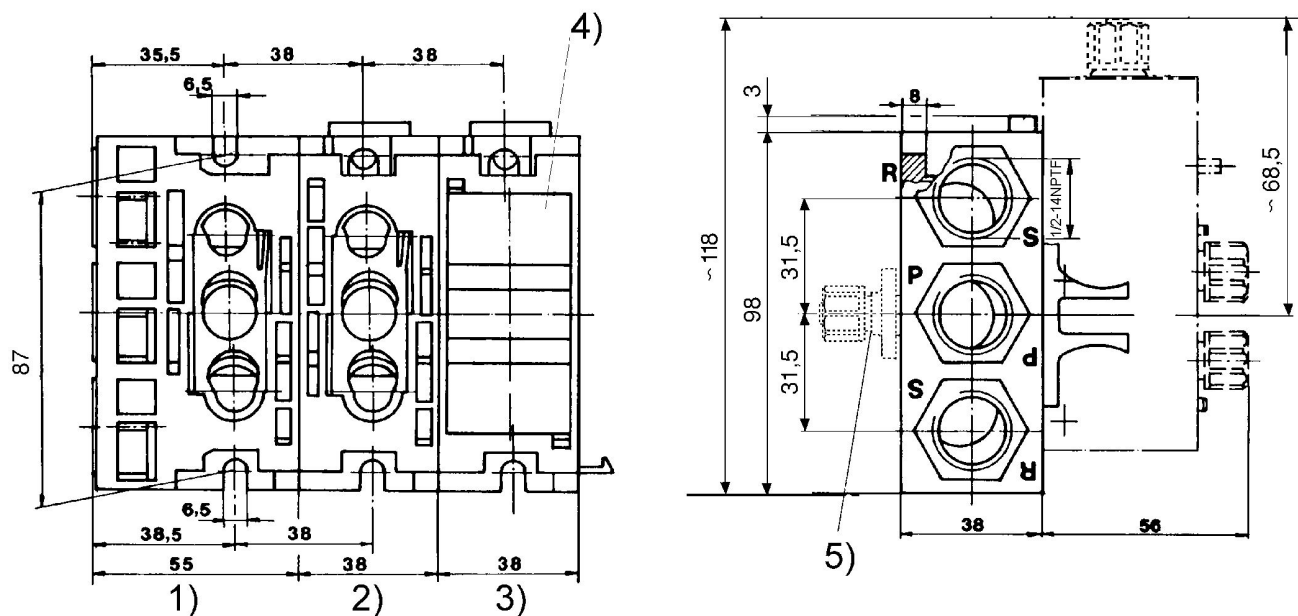
The min. control pressure must be adhered to, since otherwise faulty switching and valve failure may result!

The pressure dew point must be at least 15 °C less than ambient and medium temperature and may not exceed 3 °C.

The oil content of compressed air must remain constant during the life cycle.

Use only the approved oils from AVENTICS. Further information can be found in the "Technical information" document (available in <https://www.emerson.com/en-us/support>).

Dimensions



Tightening torque for all screws max. 35 Nm 1) Inlet plate 2) Through plate 3) End plate 4) Dummy flange 5) Adapter for separate air supply