

Charnela trasera (Fijación MP2)

R432013394

Charnela
trasera

2025-12-03

Fijación de horquilla AVENTICS



Datos técnicos

| | |
|-----------------------|---|
| Sector | Industria |
| Normalización | NFPA |
| Diámetro de émbolo | 82.55 mm |
| Volumen de suministro | Charnela trasera, perno y tornillos de fijación incl. |
| Peso | 0.508 kg |

Material

| | |
|----------------|------------|
| Material | Aluminio |
| N° de material | R432013394 |

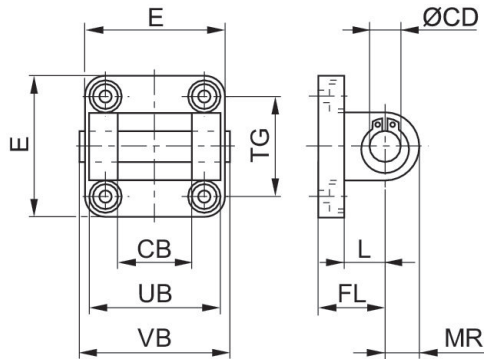
Charnela trasera (Fijación MP2)

R432013394

Charnela
trasera

2025-12-03

Dimensiones



Dimensiones en pulgadas

| N° de material | Ø | CB H14 | Ø CD H9 | E | FL | L | MR | UB | VB | TG |
|-------------------|------|--------|---------|------|------|------|------|----|----|----|
| R432013371 | 1.5 | 0.75 | 0.500 | 2.00 | 1.13 | 0.75 | 0.53 | - | - | - |
| R432008309 | 1.5 | 0.75 | 0.500 | 2.00 | 1.13 | 0.75 | 0.69 | - | - | - |
| R432012512 | 2.0 | 0.75 | 0.500 | 2.50 | 1.13 | 0.75 | 0.53 | - | - | - |
| R432008305 | 2.0 | 0.75 | 0.500 | 2.50 | 1.13 | 0.75 | 0.53 | - | - | - |
| R432013379 | 2.5 | 0.75 | 0.500 | 3.00 | 1.13 | 0.75 | 0.53 | - | - | - |
| R432008306 | 2.5 | 0.75 | 0.500 | 3.00 | 1.13 | 0.75 | 0.53 | - | - | - |
| R432013394 | 3.25 | 1.25 | 0.750 | 3.75 | 1.87 | 1.31 | 0.88 | - | - | - |
| R432008307 | 3.25 | 1.25 | 0.750 | 3.75 | 1.88 | 1.25 | 1.00 | - | - | - |
| R432013402 | 4.0 | 1.25 | 0.750 | 4.50 | 1.88 | 1.25 | 0.78 | - | - | - |
| R432008308 | 4.0 | 1.25 | 0.750 | 4.50 | 1.88 | 1.25 | 1.00 | - | - | - |