

3/2-directional valve, Series A-Pilotair®

R431004540

General series information
AVENTICS Series A-Pilotair Directional valves

- manually operated



Technical data

Industry	Industrial
Type	5-position gated single handle
Activation	Manual
Nominal flow Qn	1308.72 l/min
Compressed air connection output	Ø 1/4"
Working pressure min.	0 bar
Working pressure max	13.7 bar
Sealing principle	Soft Seal
Type	Poppet valve
Type	2-HA-4
Control pressure min.	0 bar
Control pressure max.	17.2 bar
Min. ambient temperature	-40 °C
Max. ambient temperature	71 °C
Min. medium temperature	-40 °C
Max. medium temperature	71 °C
Medium	Compressed air
Oil content of compressed air min.	0 mg/m ³
Oil content of compressed air max.	1 mg/m ³

Max. particle size	50 µm
Compressed air connection input	Ø 1/4"
Weight	1.81 kg
Housing material	Die-cast aluminum
Part No.	R431004540

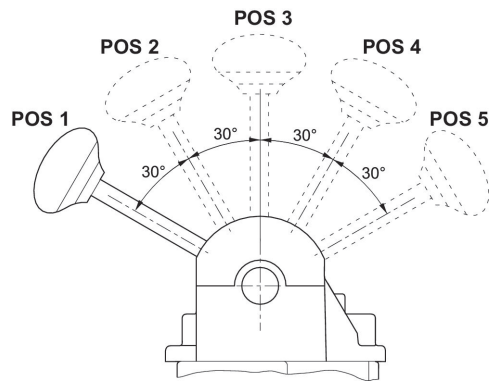
Technical information

The min. control pressure must be adhered to, since otherwise faulty switching and valve failure may result!

The pressure dew point must be at least 15 °C less than ambient and medium temperature and may not exceed 3 °C.

The oil content of compressed air must remain constant during the life cycle.

Use only the approved oils from AVENTICS. Further information can be found in the "Technical information" document (available in <https://www.emerson.com/en-us/support>).



R431006000

Handle position		1	2	3	4
Out Port Supplied	OUT port 1L	X	X		
Out Port Supplied	OUT port 2L		X	X	
Out Port Supplied	OUT port 1R			X	X
Out Port Supplied	OUT port 2R				X

R431004540

Handle position		1	2	3	4
Out Port Supplied	OUT port 1L				X
Out Port Supplied	OUT port 2L	X	X		
Out Port Supplied	OUT port 1R			X	
Out Port Supplied	OUT port 2R	X			

R431006038

Handle position		1	2	3	4	5
Out Port Supplied	OUT port 1L	X				
Out Port Supplied	OUT port 2L		X			
Out Port Supplied	OUT port 1R				X	
Out Port Supplied	OUT port 2R					X

R431005803

Handle position		1	2	3	4	5
Out Port Supplied	OUT port 1L	X	X	X	X	
Out Port Supplied	OUT port 2L	X	X	X		X
Out Port Supplied	OUT port 1R	X		X	X	X
Out Port Supplied	OUT port 2R	X	X		X	X

R4310055403

Handle position		1	2	3	4	5
Out Port Supplied	OUT port 1L		X			
Out Port Supplied	OUT port 2L			X		
Out Port Supplied	OUT port 1R				X	
Out Port Supplied	OUT port 2R					X

R431004801

Handle position		1	2	3	4	5
Out Port Supplied	OUT port 1L		X	X	X	
Out Port Supplied	OUT port 2L			X	X	X
Out Port Supplied	OUT port 1R				X	X
Out Port Supplied	OUT port 2R	X	X	X		

R431005740

Handle position		1	2	3	4	5
Out Port Supplied	OUT port 1L	X	X	X	X	
Out Port Supplied	OUT port 2L				X	X

Handle position		1	2	3	4	5
Out Port Supplied	OUT port 1R	X	X			
Out Port Supplied	OUT port 2R		X	X	X	X

R431005386

Handle position		1	2	3	4	5
Out Port Supplied	OUT port 1L	X	X			
Out Port Supplied	OUT port 2L	X				
Out Port Supplied	OUT port 1R				X	X
Out Port Supplied	OUT port 2R					X

R431004542

Handle position		1	2	3	4	5	
Out Port Supplied	OUT port 1L				X	X	
Out Port Supplied	OUT port 2L	X	X				
Out Port Supplied	OUT port 1R	X			X		
Out Port Supplied	OUT port 2R		X				X

R431009113

Handle position		1	2	3	4	5
Out Port Supplied	OUT port 1L			X	X	X
Out Port Supplied	OUT port 2L	X				
Out Port Supplied	OUT port 1R				X	X
Out Port Supplied	OUT port 2R	X	X	X	X	