

# Pressure regulators, Series M Plus™

R431000670

## AVENTICS Series M Plus Manually operated pressure regulators



### Technical data

Industry	Industrial
Type	MC-2 MC-2-F
Type	Poppet valve
Actuating element	Hand lever
Type	MC-2
Compressed air connection input	1/8-27 NPTF
Compressed air connection output	1/8-27 NPTF
Min. working pressure	0 bar
Max. working pressure	10.3 bar
Min. regulation range	0 bar
Max. regulation range	4.1 bar
Min. ambient temperature	-40 °C
Max. ambient temperature	71 °C
Min. medium temperature	-40 °C
Max. medium temperature	71 °C
Medium	Compressed air
Max. particle size	50 µm
Min. oil content of compressed air	0 mg/m <sup>3</sup>
Max. oil content of compressed air	1 mg/m <sup>3</sup>

# Pressure regulators, Series M Plus™

R431000670

Weight 1.2 kg

## Material

Part No. R431000670

## Technical information

The min. control pressure must be adhered to, since otherwise faulty switching and valve failure may result!

The pressure dew point must be at least 15 °C less than ambient and medium temperature and may not exceed 3 °C.

The oil content of compressed air must remain constant during the life cycle.

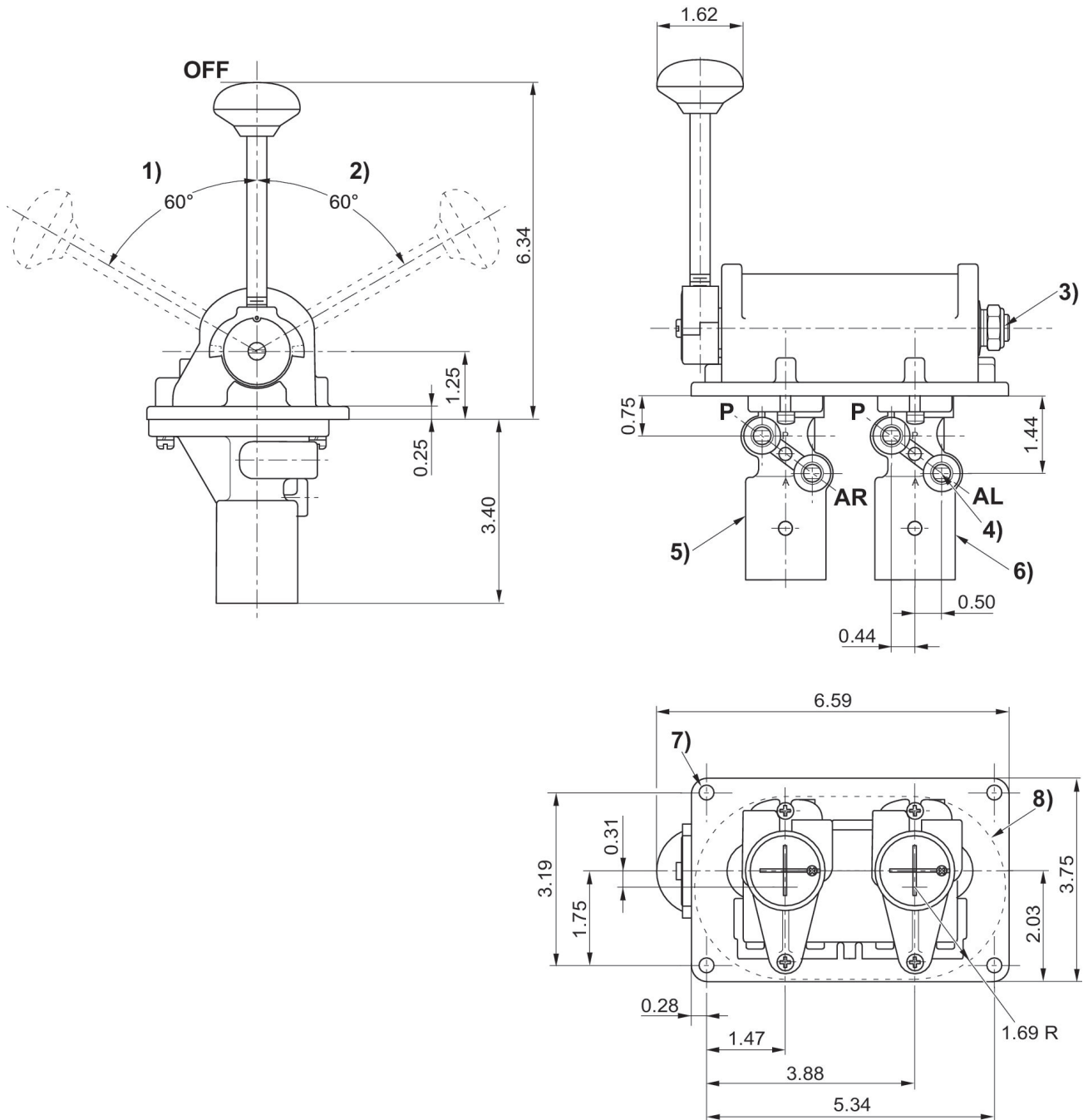
Use only the approved oils from AVENTICS. Further information can be found in the "Technical information" document (available in <https://www.emerson.com/en-us/support>).

# Pressure regulators, Series M Plus™

R431000670

2026-02-19

## Dimensions in inches



- 1) Valve # 1, 2) Valve # 2
- 3) Friction brake adjustment
- 4) 1/8-27 NPTF
- 5) Valve # 1, 6) Valve # 2
- 7) 0.281 diameter (4) places
- 8) panel mounting hole