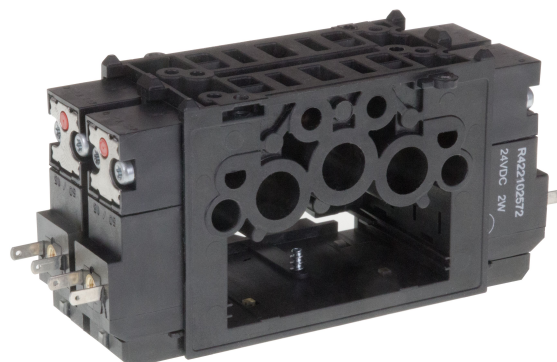


Base plate, Series ES05

R422P03358



Technical data

Industry
Industrial

Type
Base plate

For series
ES05

Type
Single Solenoid

Delivery unit
5 piece

Scope of delivery
2 base plates, incl. 1 seal

Working pressure min.
0 bar

Working pressure max.
8 bar

Control pressure min.
3 bar

Control pressure max.
8 bar

Min. ambient temperature
5 °C

Max. ambient temperature
50 °C

Min. medium temperature
5 °C

Max. medium temperature
50 °C

Medium
Compressed air

Max. particle size
40 µm

Oil content of compressed air min.
0 mg/m³

Oil content of compressed air max.
25 mg/m³

electr. connection
Valve plug connector form C industry

Tightening torque for mounting screws
0.9 Nm

Material

Housing material
Polyamide fiber-glass reinforced

Part No.
R422P03358

Seal material
Nitrile butadiene rubber

Technical information

The min. control pressure must be adhered to, since otherwise faulty switching and valve failure may result!

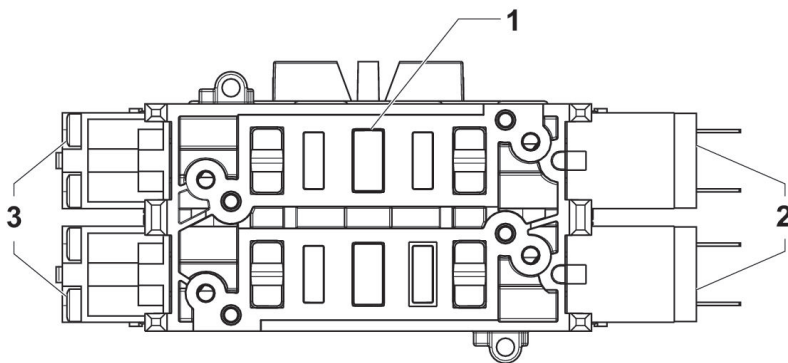
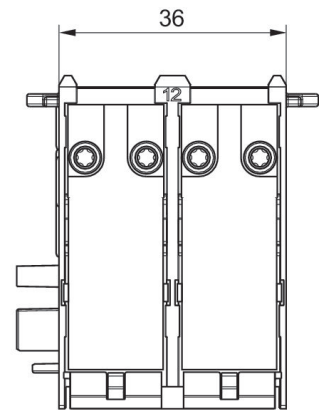
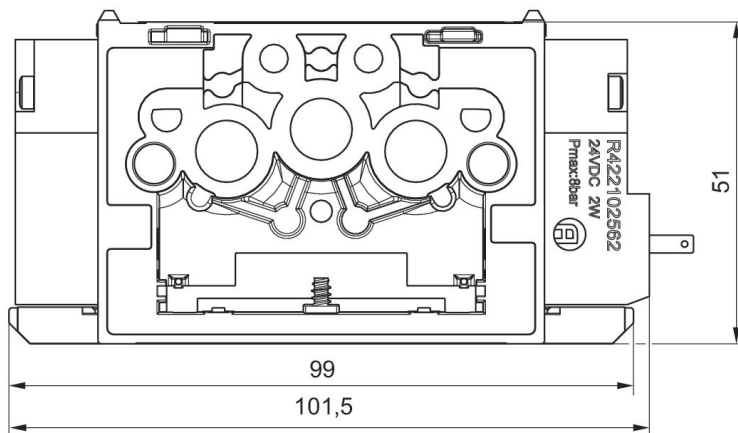
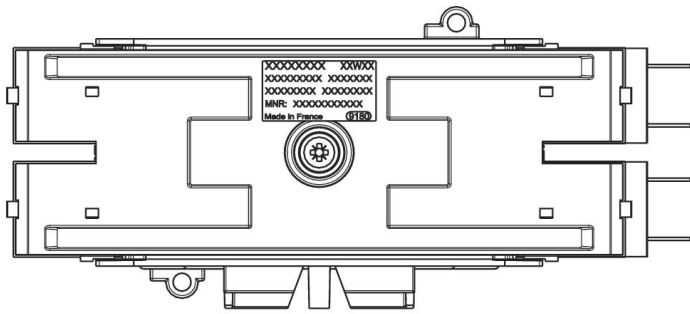
The pressure dew point must be at least 15 °C under ambient and medium temperature and may not exceed 3 °C .

The oil content of compressed air must remain constant during the life cycle.

Use only the approved oils from AVENTICS. Further information can be found in the "Technical information" document (available in <https://www.emerson.com/en-us/support>).

Dimensions

Fig. 1



- 1) 2 pilot valves with external electrical connection
- 2) Place for 2 valves
- 3) Pilot blanking plate