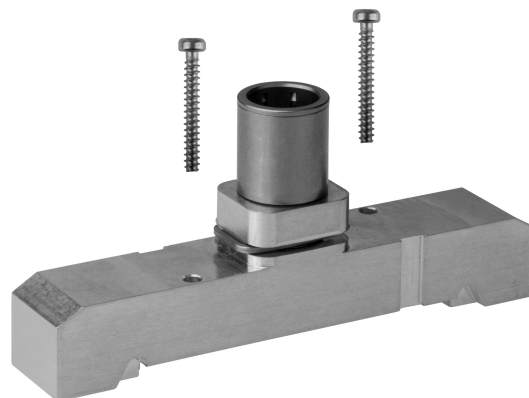


Supply plate

R422P03345



Technical data

Industry
Industrial

Type
Base plate

Delivery unit
5 piece

Working pressure min.
0 bar

Working pressure max
8 bar

Min. ambient temperature
5 °C

Mounting screw
Hexalobular socket (TORX) ISO 10664-10

Material

Seal material
Aluminum

For series
ES05 -inch

Compressed air connection input
Ø 3/8

Max. ambient temperature
50 °C

Min. medium temperature
5 °C

Max. medium temperature
50 °C

Medium
Compressed air

Tightening torque for mounting screws
0.9 Nm

Screws material
Steel

Part No.
R422P03345

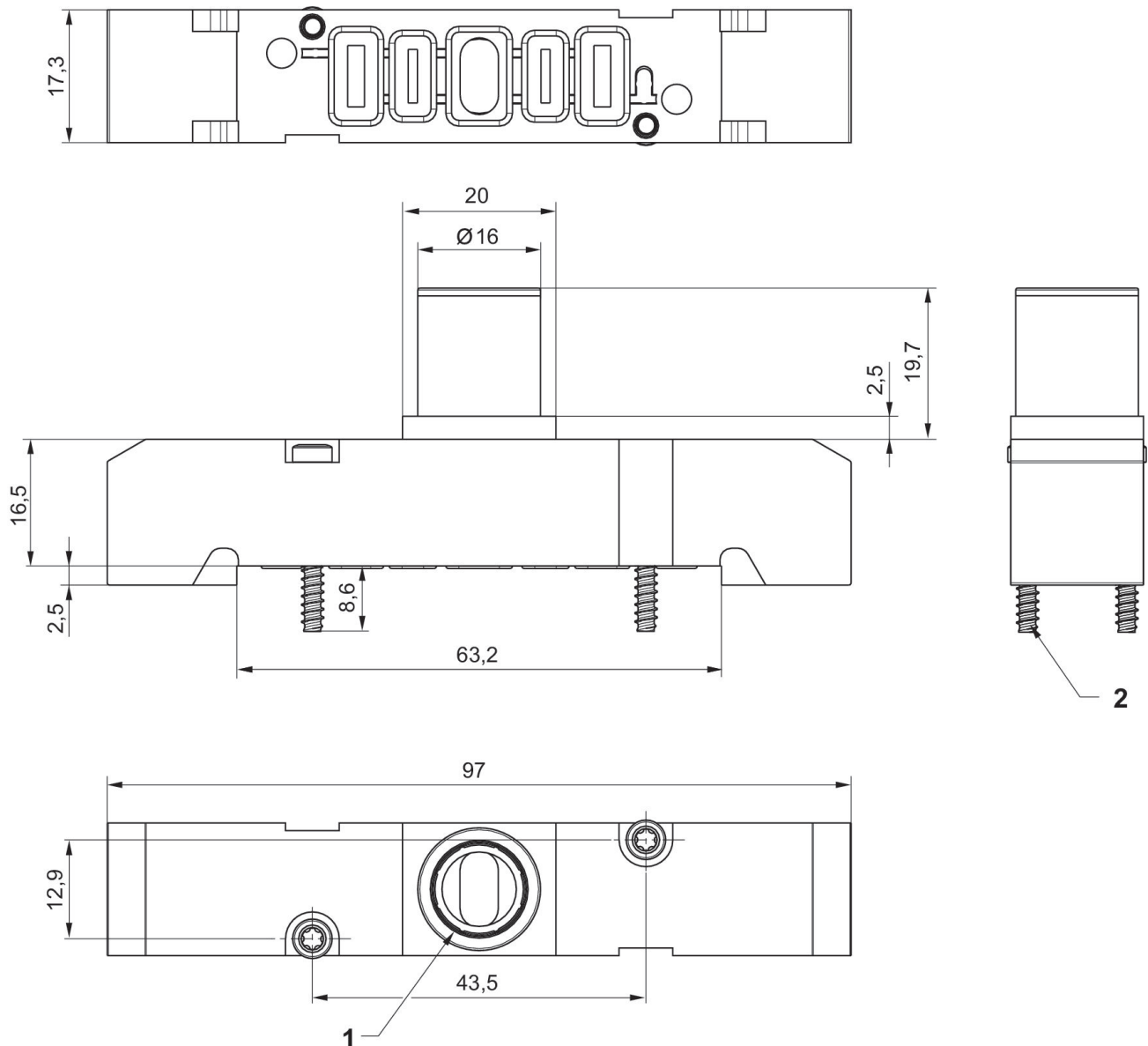
Technical information

The pressure dew point must be at least 15 °C under ambient and medium temperature and may not exceed 3 °C .

The oil content of compressed air must remain constant during the life cycle.

Use only the approved oils from AVENTICS. Further information can be found in the “Technical information” document (available in <https://www.emerson.com/en-us/support>).

Dimensions



1) input [1] $\varnothing 3/8$

2) Screws for plastic Ø3