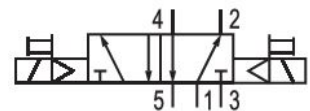
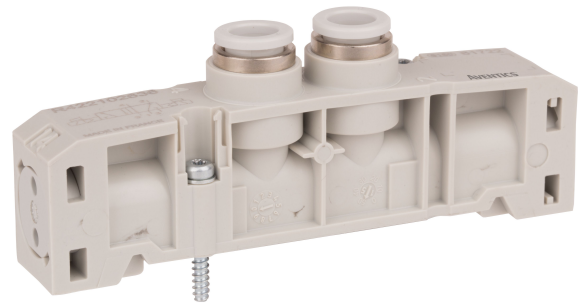


## AVENTICS Series ES05 Valve systems

The AVENTICS Series ES05 is ideal for standard pneumatic applications. Its simplicity and modularity make it especially well-suited for applications that require quick changes or extensions. Due to its modular system consisting of a limited number of components and the one-tool concept, the ES05 is also easy to assemble in-house.



## Technical data

Industry	Industrial
Activation	Electrically
Switching principle	5/2, with spring return
Actuating control	Double Solenoid
Compressed air connection input	Base plate
Compressed air connection output	Ø 8
Nominal flow Qn	610 l/min
Min. working pressure	-0.8 bar
Max. working pressure	8 bar
Min. control pressure	3 bar
Max. control pressure	8 bar
Switch-on time	<20

Switch-off time	<20
Min. ambient temperature	5 °C
Max. ambient temperature	50 °C
Min. medium temperature	5 °C
Max. medium temperature	50 °C
Medium	Compressed air
Min. oil content of compressed air	0 mg/m <sup>3</sup>
Max. oil content of compressed air	5 mg/m <sup>3</sup>
Max. particle size	40 µm
Mounting screws	Hexalobular socket (TORX) ISO 10664-10
Mounting screw tightening torque	0.9 Nm
Tightening torque tolerance	±0,1 mT
Delivery unit	5 piece

## Material

Housing material	Polyamide Polyoxymethylene
Seal material	Acrylonitrile butadiene rubber
Part No.	R422P02636

## Technical information

The min. control pressure must be adhered to, since otherwise faulty switching and valve failure may result!

The pressure dew point must be at least 15 °C less than ambient and medium temperature and may not exceed 3 °C.

The oil content of compressed air must remain constant during the life cycle.

Use only the approved oils from AVENTICS. Further information can be found in the "Technical information" document (available in <https://www.emerson.com/en-us/support>).

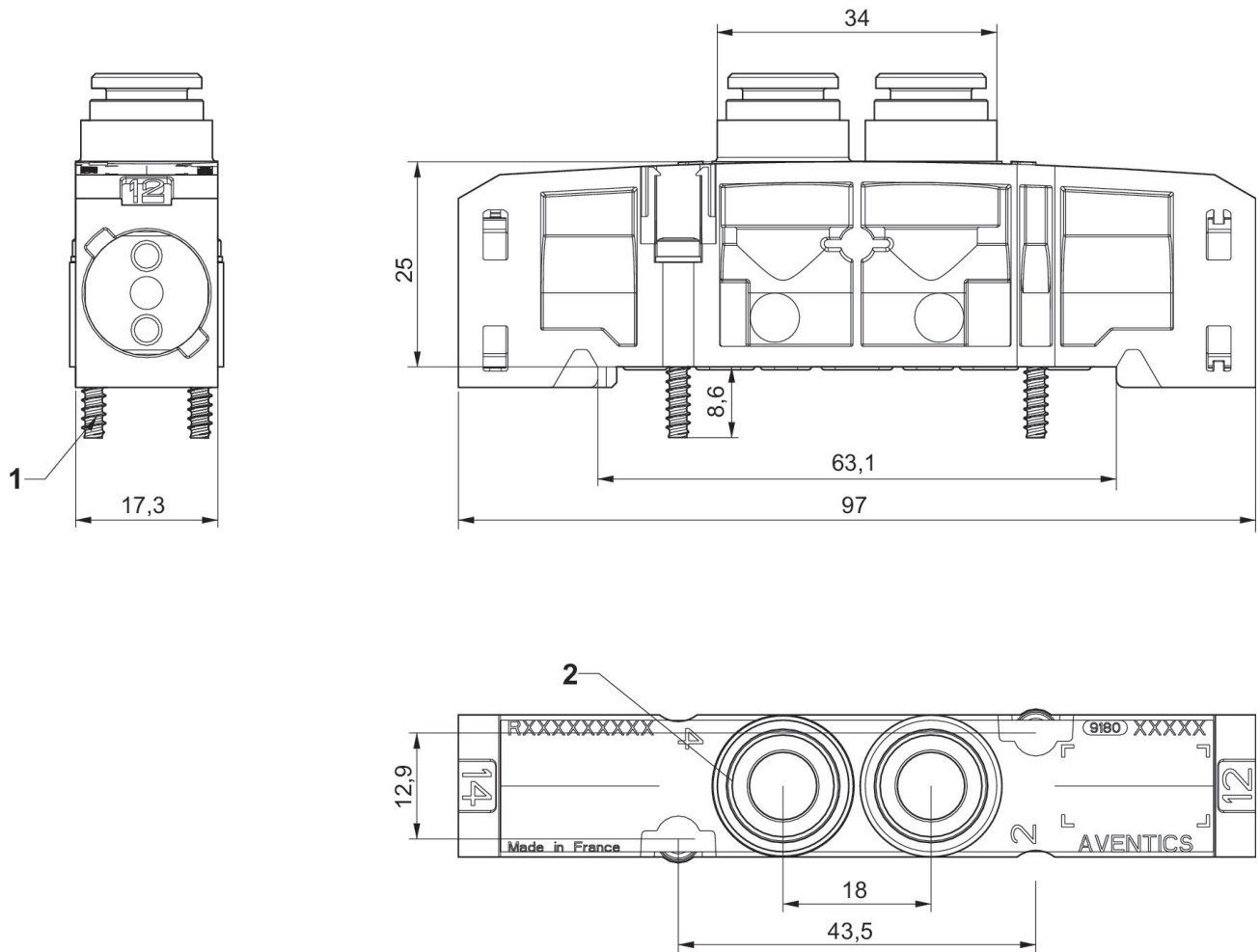
# 5/2 directional valve function, Series ES05

ES05

R422P02636

2024-04-02

## Dimensions



- 1) Screws for plastic Ø3
- 2) Ø 8