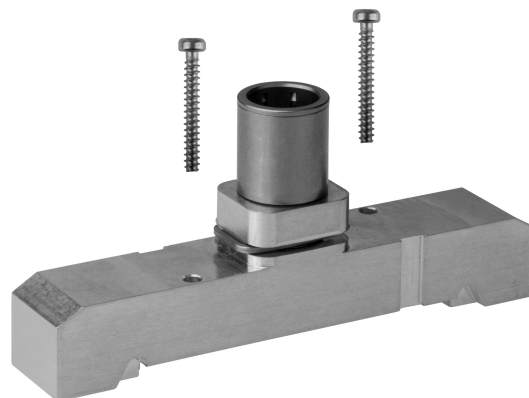


# Supply plate

R422P02622



## Technical data

Industry  
Industrial

Type  
Base plate

Delivery unit  
5 piece

Working pressure min.  
0 bar

Working pressure max  
8 bar

Min. ambient temperature  
5 °C

Mounting screw  
Hexalobular socket (TORX) ISO 10664-10

## Material

Housing material  
Aluminum

For series  
ES05

Compressed air connection input  
Ø 12

Max. ambient temperature  
50 °C

Min. medium temperature  
5 °C

Max. medium temperature  
50 °C

Medium  
Compressed air

Tightening torque for mounting screws  
0.9 Nm

Screws material  
Steel

Part No.  
R422P02622

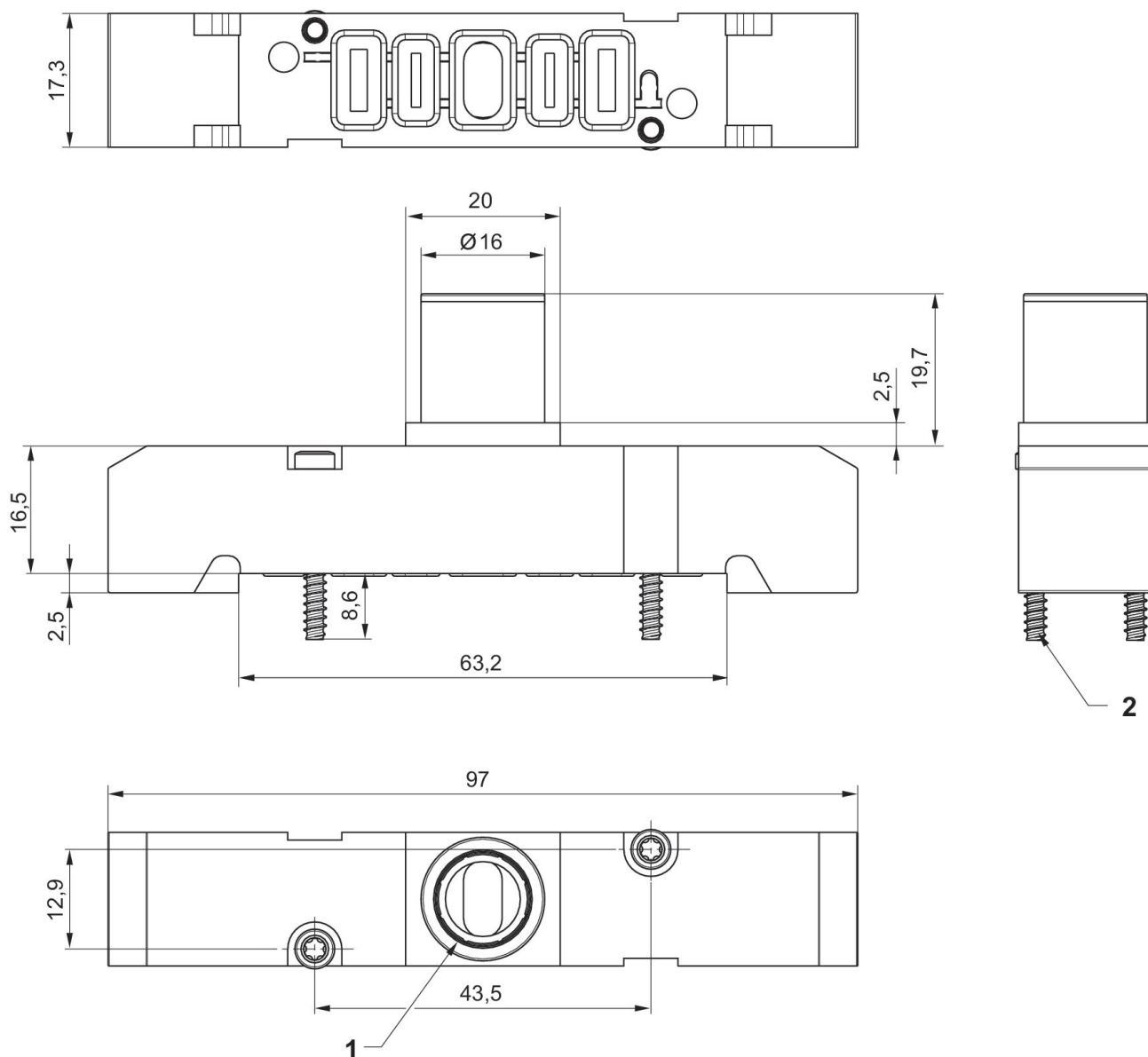
## Technical information

The pressure dew point must be at least 15 °C under ambient and medium temperature and may not exceed 3 °C .

The oil content of compressed air must remain constant during the life cycle.

Use only the approved oils from AVENTICS. Further information can be found in the “Technical information” document (available in <https://www.emerson.com/en-us/support>).

## Dimensions



1) input [1]  $\varnothing 12$

2) Screws for plastic Ø3