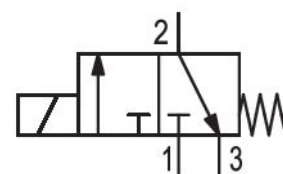
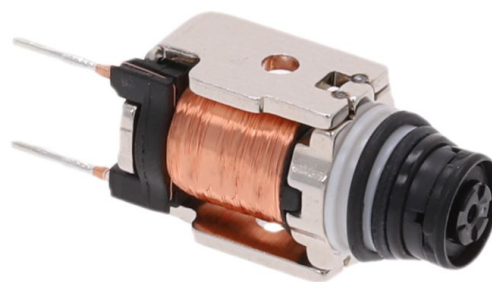


3/2 Micro solenoid valve, series PVP1

R422103884

General series information Series PVP1

- These small size, light weight, low power Micro Solenoid Pilot Valves 8 mm are plug-in cartridge style. PVP1 Series can be used in applications where very compact solutions are required as well as high performances to control actuators or very small devices and it is suitable for portable equipment.



Technical data

Industry
Industrial

Activation
Electrically

Nominal flow Qn
11 l/min

Switching principle
3/2

Version
NC

Working pressure min.
3 bar

Working pressure max
8 bar

DC operating voltage
24 V

Voltage tolerance DC
-10% / +10%

Electrical connection number of poles
2-pin

Sealing principle
Soft Seal

Standards
ISO 8573-1: class 6

Valve type
Poppet valve

Min. ambient temperature
-10 °C
Max. ambient temperature
60 °C
Min. medium temperature
-10 °C
Max. medium temperature
60 °C

Medium
Neutral gases
Compressed air
Max. particle size
5 µm
Oil content of compressed air min.
0 mg/m³
Oil content of compressed air max.
5 mg/m³

Nominal flow Qn 1 to 2
11 l/min

Nominal flow Qn 2 to 3
14 l/min

Power consumption DC
1.2 W
Duty cycle
100 %

Typ. switch-on time
12 ms

Protection class with connection
IP00
Delivery unit
50 piece

Weight
0.005 kg

Part No.
R422103884

Technical information

Voltage can be reduced from 24 VDC to 22 VDC for long duty cycle and will reduce power consumption from 1.2 W to 1 W.

Minimum current for keeping permanent switched on position: 15 mA.

Nominal flow Qn at [[6] bar] input pressure and atmospheric output pressure

Contact your nearest AVENTICS sales office for installation dimensions.

Please contact your nearest AVENTICS sales office for current availability.

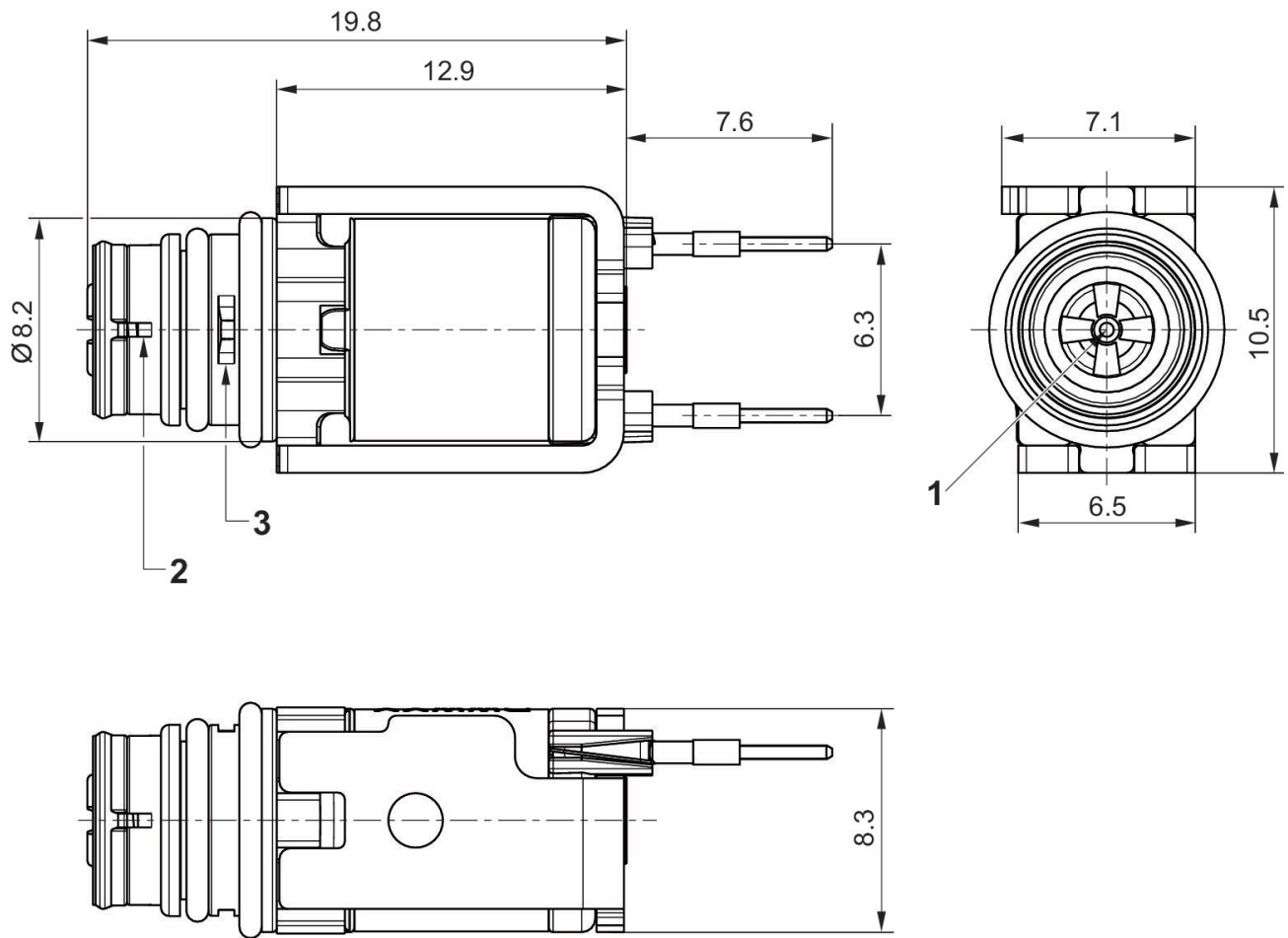
The min. control pressure must be adhered to, since otherwise faulty switching and valve failure may result!

The pressure dew point must be at least 15 °C under ambient and medium temperature and may not exceed 3 °C .

The oil content of compressed air must remain constant during the life cycle.

Use only the approved oils from AVENTICS. Further information can be found in the “Technical information” document (available in <https://www.emerson.com/en-us/support>).

Dimensions



- 1) Port 1 (Input)
- 2) Port 2 (Working pressure)
- 3) Port 3 (Exhaust)