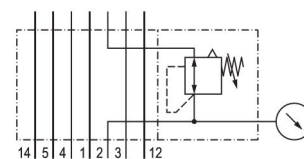


Pressure regulator

R422103093

Series HF03-LG

■ $Q_n = [[700] \text{ l/min}]$



Technical data

Industry
Industrial

standard
ISO 5599-1

Frame size
ISO 2

Controlled port
2

Tightening torque for mounting screws
5 Nm

Working pressure max.
12 bar

Regulation range min.
0.5 bar

Regulation range max.
8 bar

Min. ambient temperature
-15 °C

Max. ambient temperature
50 °C

Medium
Compressed air

Max. particle size
5 µm

Oil content of compressed air min.
0 mg/m³

Oil content of compressed air max.
5 mg/m³

Nominal flow Q_n
1070 l/min

Tightening torque for mounting screws
5 Nm

Weight
1.11 kg

Housing material
Aluminum

Seal material
Butadiene rubber

Part No.
R422103093

Technical information

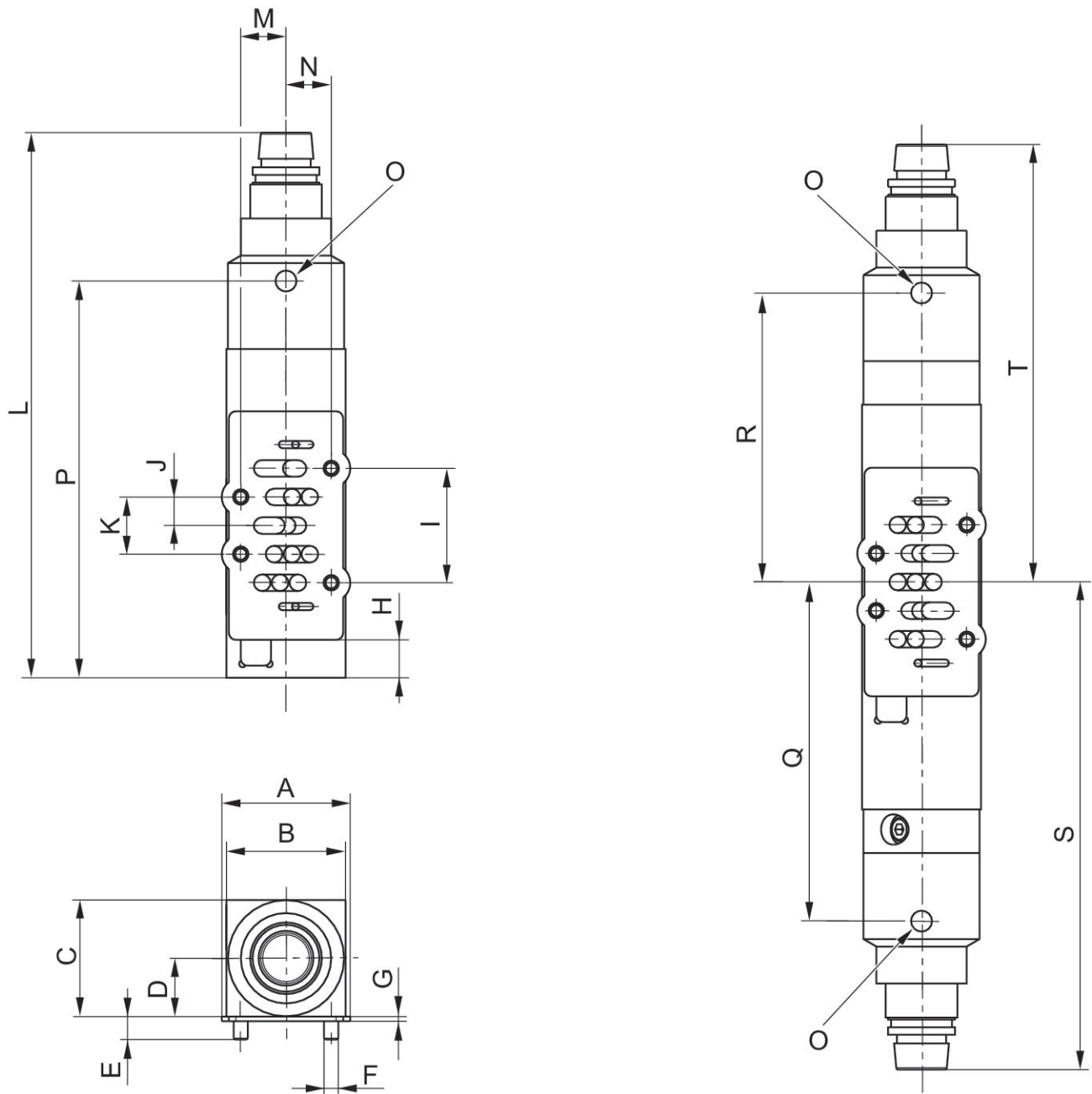
The min. control pressure must be adhered to, since otherwise faulty switching and valve failure may result!

The pressure dew point must be at least 15 °C under ambient and medium temperature and may not exceed 3 °C .

The oil content of compressed air must remain constant during the life cycle.

Use only the approved oils from AVENTICS. Further information can be found in the “Technical information” document (available in <https://www.emerson.com/en-us/support>).

Dimensions



Part No.	A	B	C	D	E	F	G	H	I
R422103092	54	50	48.90	24.45	9.70	M6	2	15.90	48
R422103093	54	50	48.90	24.45	9.70	M6	2	15.90	48
R422103094	54	50	48.90	24.45	9.70	M6	2	-	48
R422103095	54	50	48.90	24.45	9.70	M6	2	-	48

Part No.	J	K	L	M	N	O	P	Q	R
R422103092	12	24	228.90	19	19	G 1/8	166.58	-	-

Part No.	J	K	L	M	N	O	P	Q	R
R422103093	12	24	247.20	19	19	G 1/8	183.84	-	-
R422103094	12	24	-	19	19	G 1/8	-	142.34	121.34
R422103095	12	24	-	19	19	G 1/8	-	-	-

Part No.	S	T
R422103092	-	-
R422103093	-	-
R422103094	204.66	183.66
R422103095	-	-