

Assembly kit

R422103091

Mechanical accessories



Technical data

Industry
Industrial

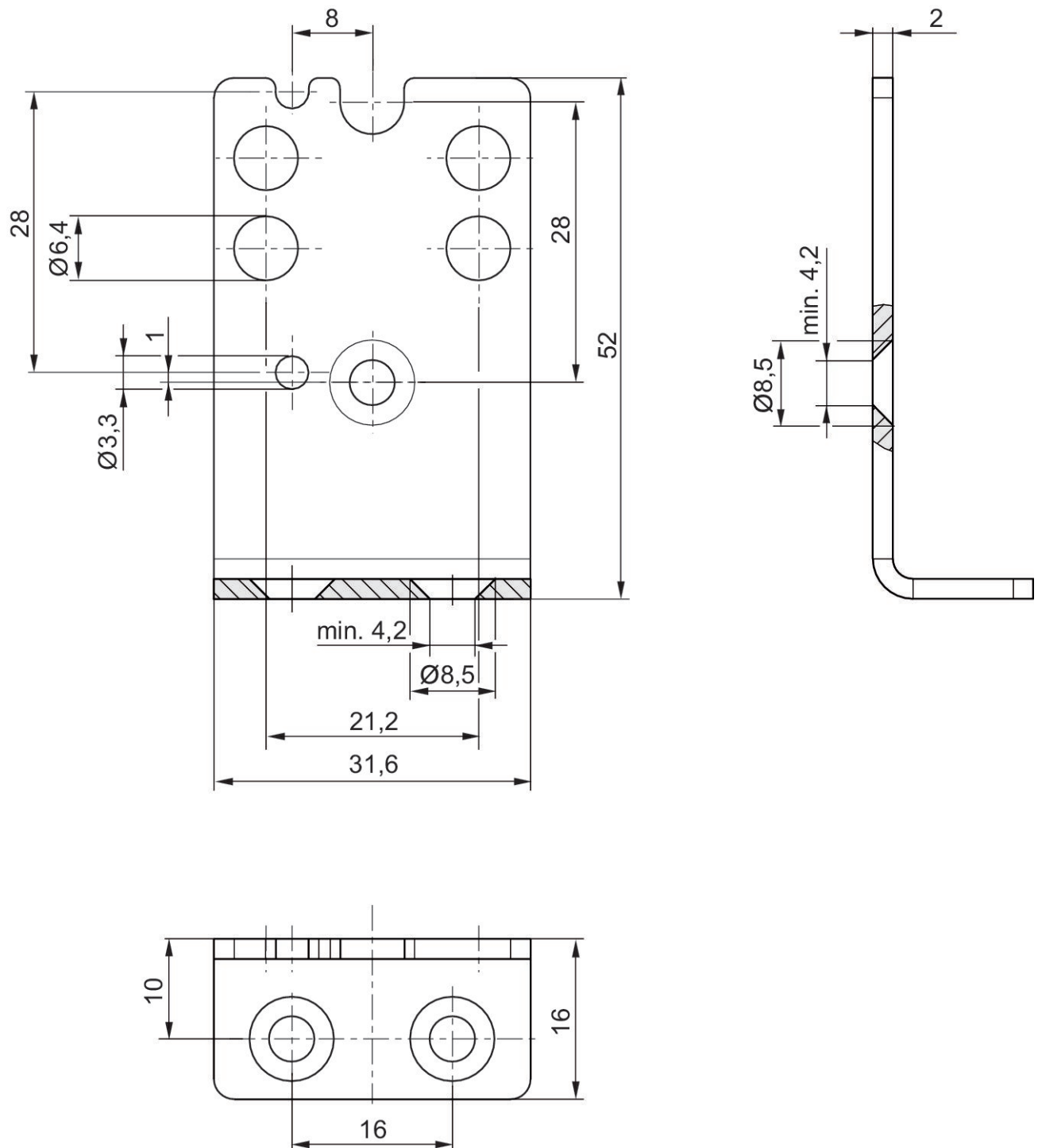
Type
Mounting bracket for mounting to the mounting plate

Delivery unit
2 piece

Housing material
Stainless Steel

Part No.
R422103091

Technical information



2 countersunk screws DIN 7991 A4 M4x8 for mounting on AV series pressure regulators are included in the scope of delivery.
Countersunk screws for mounting on a mounting plate are not included in the scope of delivery.