

AVENTICS Series ES05 Valve systems

The AVENTICS Series ES05 is ideal for standard pneumatic applications. Its simplicity and modularity make it especially well-suited for applications that require quick changes or extensions. Due to its modular system consisting of a limited number of components and the one-tool concept, the ES05 is also easy to assemble in-house.



Technical data

Industry	Industrial
Activation	Electrically
Actuating control	Double Solenoid
Manual override	without detent
Compressed air connection input	Ø 3/8
Compressed air connection output	Base plate
Compressed air connection, exhaust	Ø 3/8
Min. working pressure	0 bar
Max. working pressure	8 bar
Protection class with connection	IP65
Operational voltage	24 V DC
Operational voltage DC	24 V
Voltage tolerance DC	-15% / +10%

Single subbase, Series ES05 -inch

2024-04-02

R422102749

Power consumption DC	2 W
Duty cycle	100 %
Min. ambient temperature	5 °C
Max. ambient temperature	50 °C
Min. medium temperature	5 °C
Max. medium temperature	50 °C
Medium	Compressed air
Min. oil content of compressed air	0 mg/m ³
Max. oil content of compressed air	5 mg/m ³
Max. particle size	40 µm

Material

Housing material	Polyamide Polyoxymethylene
Part No.	R422102749

Technical information

The pressure dew point must be at least 15 °C less than ambient and medium temperature and may not exceed 3 °C.

The oil content of compressed air must remain constant during the life cycle.

Use only the approved oils from AVENTICS. Further information can be found in the “Technical information” document (available in <https://www.emerson.com/en-us/support>).

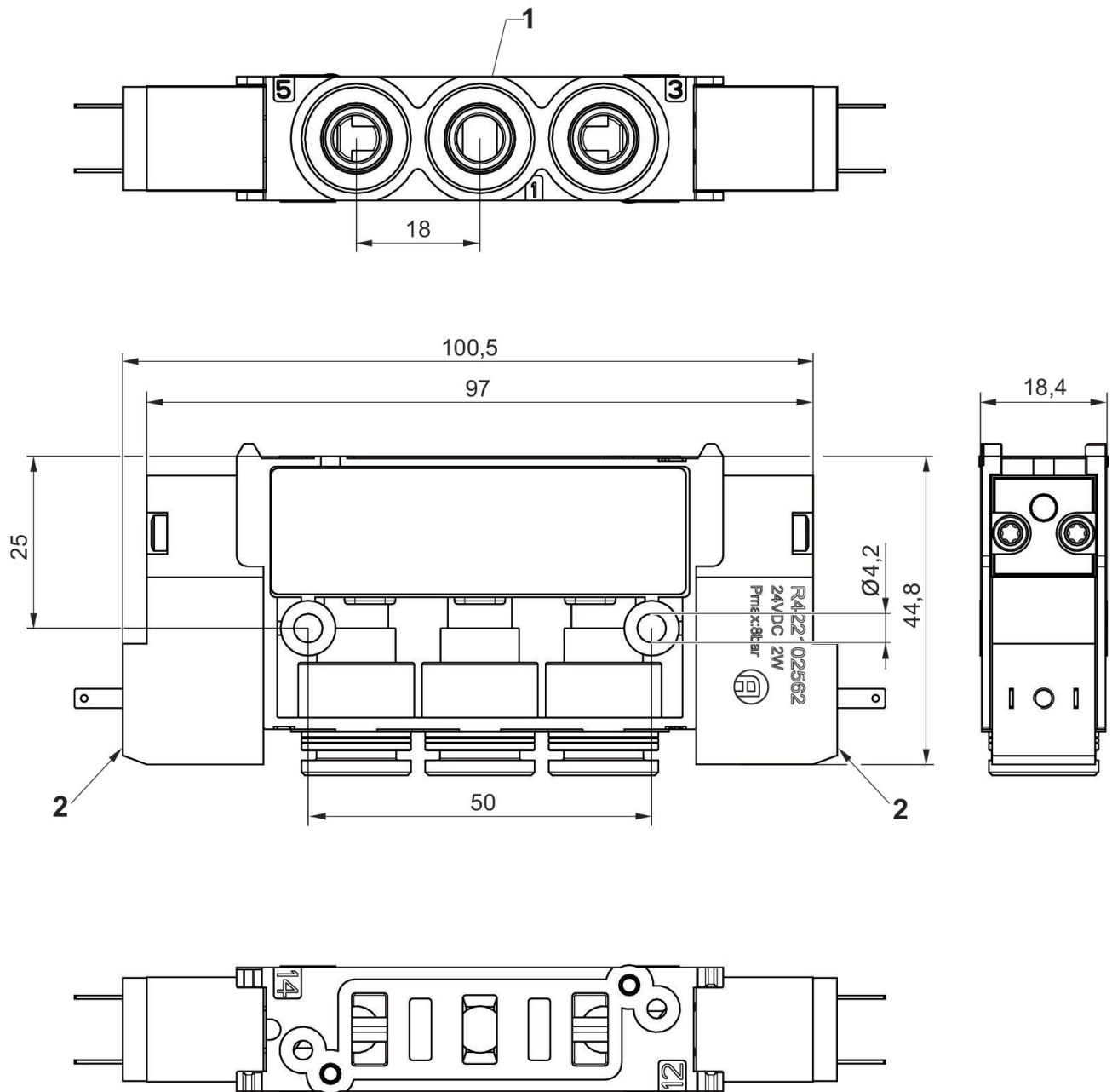
Dimensions

Single subbase, Series ES05 -inch

2024-04-02

R422102749

Double Solenoid



- 1) Connections [1 ,3 ,5, 2, 4] Ø 3/8
- 2) Pilot valve with external electrical control