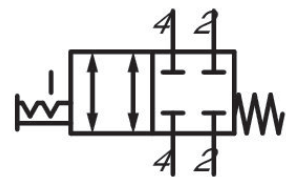
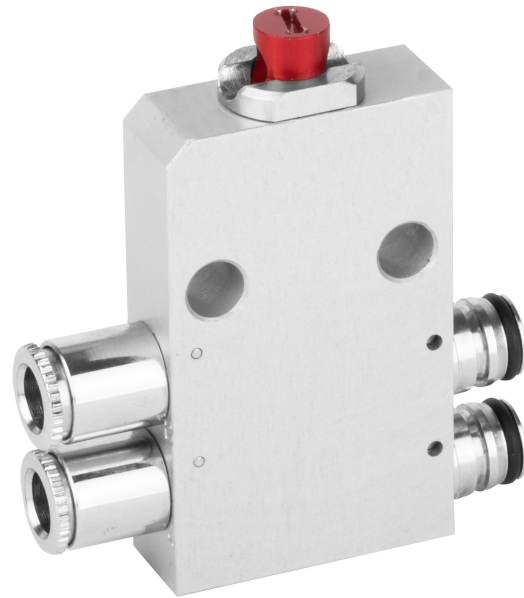


# Shut-off module, Series AV

R422102704

Shut-off module, Series AV



## Technical data

Industry  
Industrial

Activation  
Mechanical

Nominal flow Qn  
750 l/min

Compressed air connection output  
Ø 8

Working pressure min.  
0 bar

Working pressure max  
10 bar

Compressed air connection type  
push-in fitting

Weight  
0.08 kg

Min. ambient temperature  
-10 °C

Max. ambient temperature  
60 °C

Min. medium temperature  
-10 °C

Max. medium temperature  
60 °C

Medium  
Compressed air

Housing material  
Aluminum

Seal material  
Nitrile butadiene rubber

Part No.  
R422102704

## Technical information

When using polyurethane tubing, we recommend using additional stiffener sleeves.

Pneumatic connection to base plate valves, suitable for all sizes in the AV03 and AV05 series

For push-in fittings, only use plug accessories made of plastic (polyamide) from our catalog.

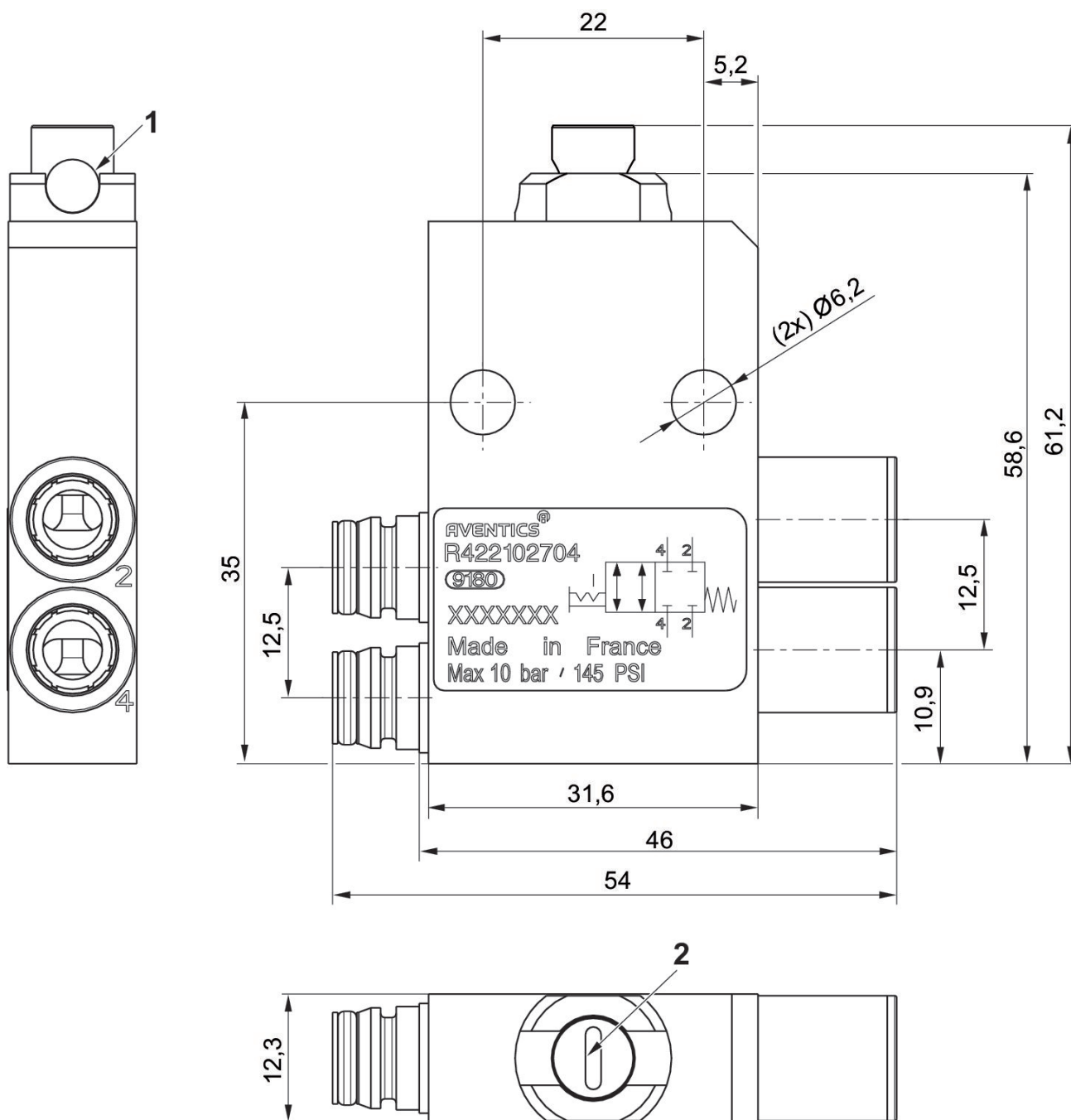
The min. control pressure must be adhered to, since otherwise faulty switching and valve failure may result!

The pressure dew point must be at least 15 °C under ambient and medium temperature and may not exceed 3 °C .

The oil content of compressed air must remain constant during the life cycle.

Use only the approved oils from AVENTICS. Further information can be found in the “Technical information” document (available in <https://www.emerson.com/en-us/support>).

## Dimensions



- 1) Through hole for cable lock  
Order cable lock 7472D02758 separately  
2) Manual override lock