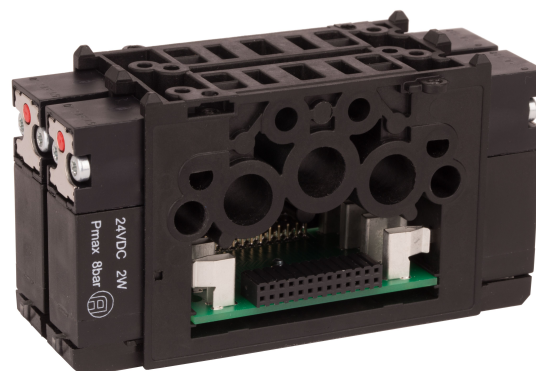


# Base plate, Series ES05

R422102671



## Technical data

**Industry**  
Industrial

**Type**  
Base plate

**Delivery unit**  
1 piece

**Scope of delivery**  
Base plate 2x, incl. 1 seal

**Working pressure min.**  
0 bar

**Working pressure max**  
8 bar

**Control pressure min.**  
3 bar

**Control pressure max.**  
8 bar

**Min. ambient temperature**  
5 °C

**For series**  
ES05

**Type**  
Single Solenoid

**Max. ambient temperature**  
50 °C

**Min. medium temperature**  
5 °C

**Max. medium temperature**  
50 °C

**Medium**  
Compressed air

**Max. particle size**  
40 µm

**Oil content of compressed air min.**  
0 mg/m<sup>3</sup>

**Oil content of compressed air max.**  
25 mg/m<sup>3</sup>

Tightening torque for mounting screws  
0.9 Nm

## Material

Housing material  
Polyamide fiber-glass reinforced

Part No.  
R422102671

Seal material  
Nitrile butadiene rubber

## Technical information

The min. control pressure must be adhered to, since otherwise faulty switching and valve failure may result!

The pressure dew point must be at least 15 °C under ambient and medium temperature and may not exceed 3 °C .

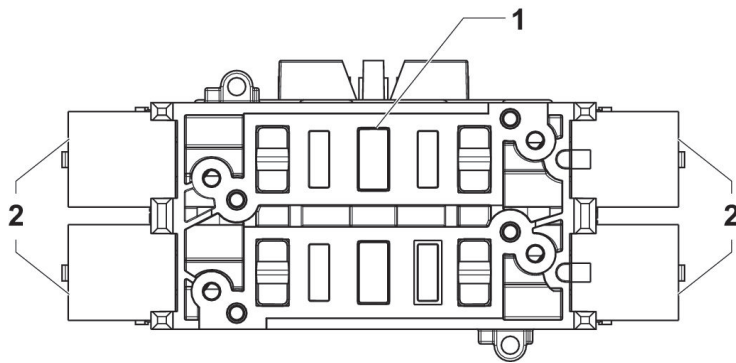
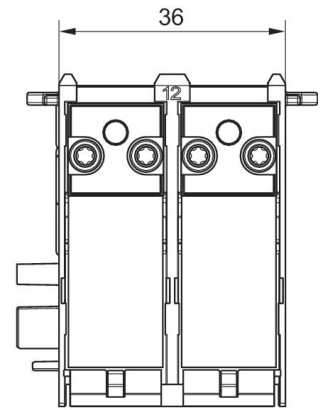
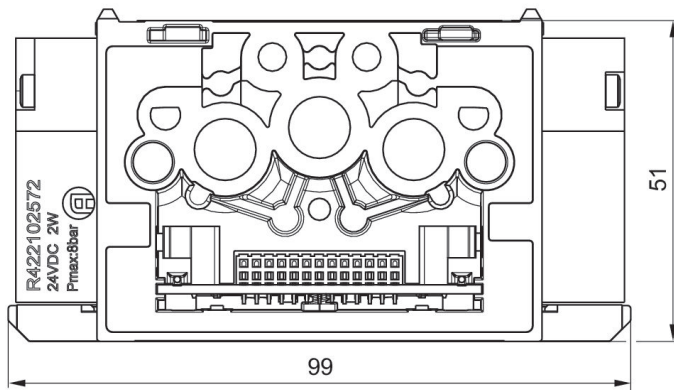
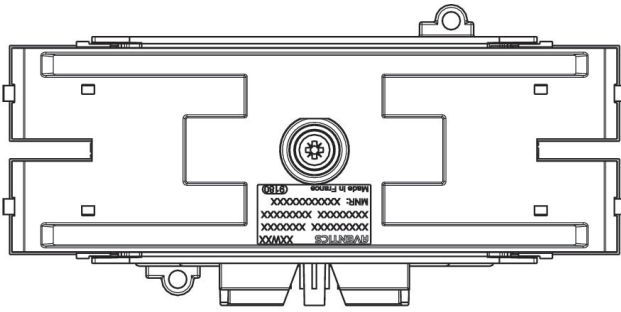
The oil content of compressed air must remain constant during the life cycle.

Use only the approved oils from AVENTICS. Further information can be found in the "Technical information" document (available in <https://www.emerson.com/en-us/support>).

For use in conjunction with end plate kit with D-Sub

## Dimensions

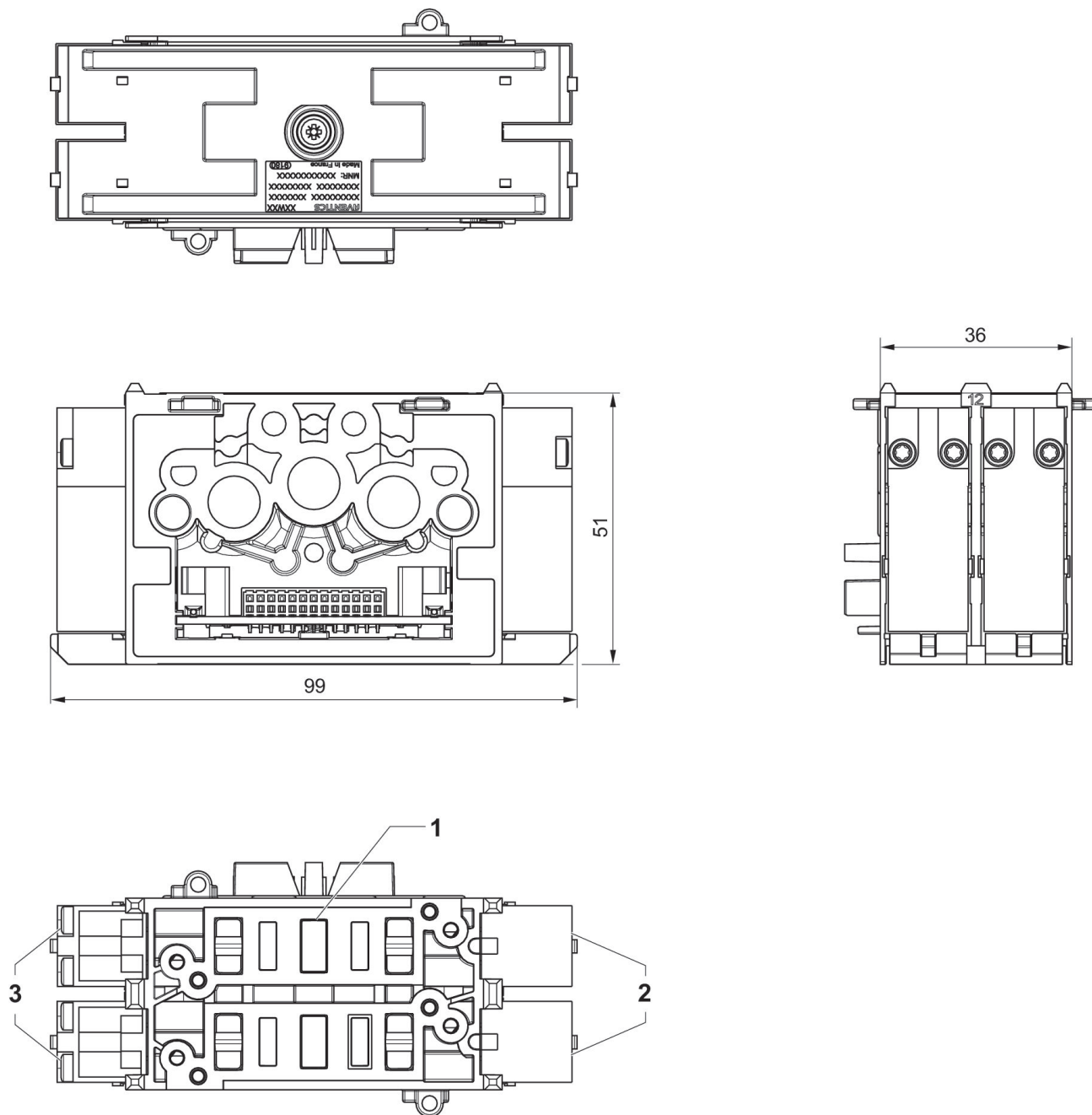
Fig. 2



- 1) Place for 2 valves
- 2) 4 pilot valves

## Dimensions

Fig. 1



- 
- 1) Place for 2 valves
  - 2) 2 pilot valves
  - 3) Pilot blanking plate
- Only for single solenoid 5/2 direction valve function