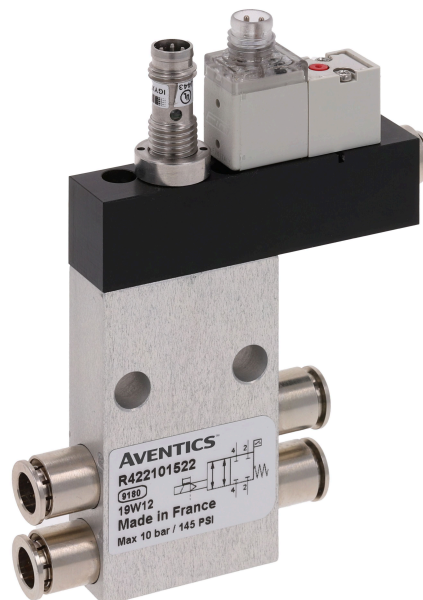


Shut-off module, stand-alone

R422101521

Shut-off module, Series AV



Technical data

Industry
Industrial

Activation
Electrically

Control pressure min.
3.5 bar

Control pressure max.
7 bar

Operating voltage DC, min.
10 V DC

Operating voltage DC, max.
30 V DC

Type sensor
PNP

Sensor connection
M8x1

Voltage drop U at I_{max}
≤ 2,5 V

Protection class sensor
IP65

Operational voltage pilot valve
24 V DC

Voltage tolerance DC
-10% / +10%

Power consumption
1.3 W

Display: LED
Yellow

Protection class pilot valve
IP67

Compressed air connection input
Ø 8

Nominal flow Q_n
400 l/min

Type
Spool valve, positive overlapping

Port 2 / 4
Ø 8

Compressed air connection 12 (Exhaust)
Ø 4

Working pressure min.
0 bar

Working pressure max
10 bar

Min. ambient temperature
0 °C
Max. ambient temperature
50 °C
Min. medium temperature
0 °C
Max. medium temperature
50 °C

Medium
Compressed air
Housing material
Aluminum
Seal material
Nitrile butadiene rubber
Part No.
R422101521

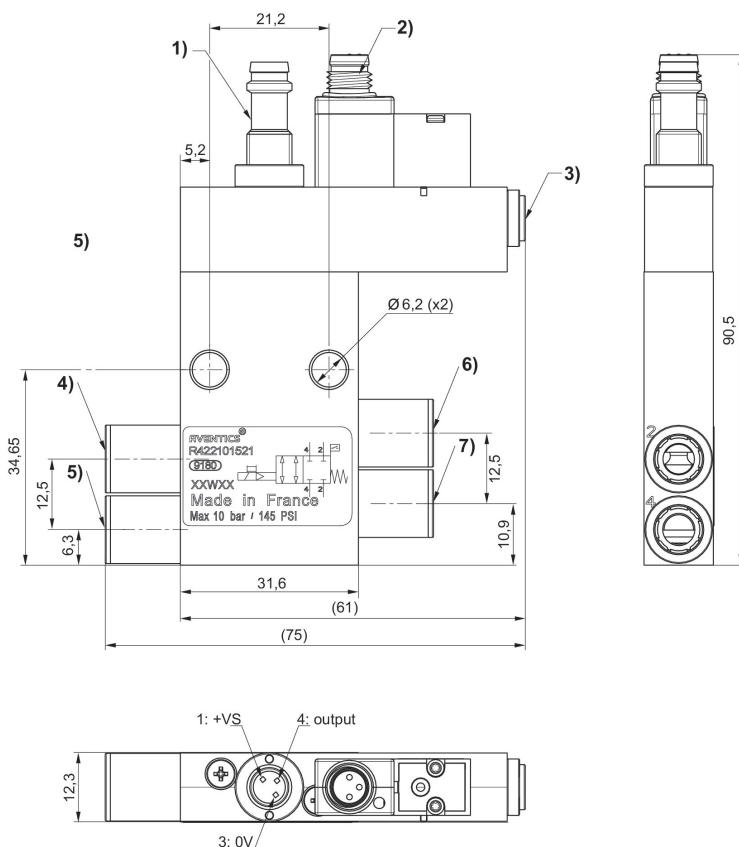
Technical information

In the non-actuated state, the sensor signal is “high”

A duty cycle of 100% is only valid for valves mounted separately.

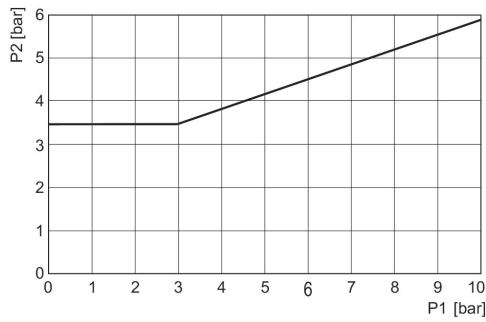
For push-in fittings, only use plug accessories made of plastic (polyamide) from our catalog.

Dimensions



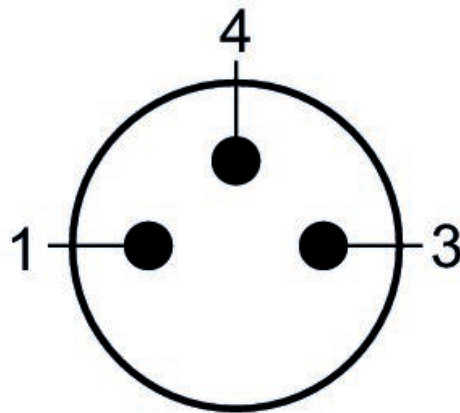
- 1) Sensor plug M8, 3-pin electronic PNP
The orientation of the pins depends on the angular position of the sensor, which is random.
4) Fittings
5) Pilot air supply
4) Connection 2, Input-side 5) Connection 4, Input-side 6) Operating line 2 7) Operating line 4

Minimum control pressure (depending on operating pressure)



p1 = pressure on connections 2 and 4, p2 = control pressure

Pilot valve pin assignment M8x1 (3-pin)



(1) BN=brown (3) BU=blue (4) BK=black

Sensor circuit diagram

