

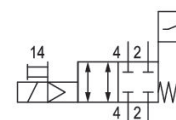
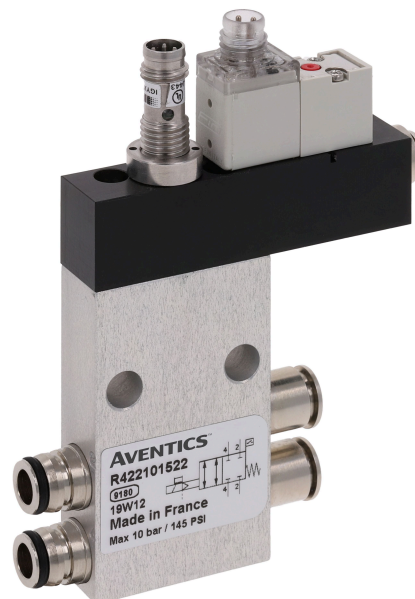
Shut-off module, Series AV

R422101517

blocking
valves

2024-05-28

Shut-off module, Series AV



Technical data

| | |
|--------------------------------------|-----------------------------------|
| Industry | Industrial |
| Activation | Electrically |
| Min. control pressure | 3.5 bar |
| Max. control pressure | 7 bar |
| Min. operating voltage DC | 10 V DC |
| Max. operating voltage DC | 30 V DC |
| Type sensor | PNP |
| Sensor connection | M8x1 |
| Voltage drop U at I _{max} | ≤ 2,5 V |
| Protection class sensor | IP65 |
| Operational voltage pilot valve | 24 V DC |
| Voltage tolerance DC | -10 % / +10 % |
| Power consumption | 1.3 W |
| Display: LED | Yellow |
| Protection class pilot valve | IP67 |
| Compressed air connection type input | push-in fitting |
| Nominal flow Q _n | 400 l/min |
| Type | Spool valve, positive overlapping |
| Port 2 / 4 | Ø 8 |

Shut-off module, Series AV

R422101517

blocking
valves

2024-05-28

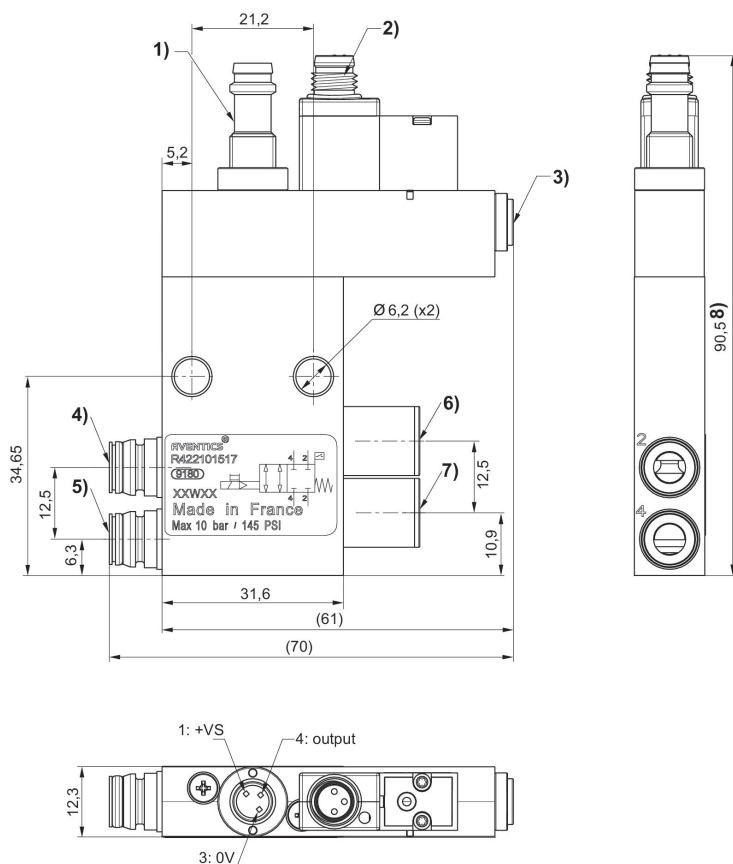
| | |
|--|--------------------------|
| Compressed air connection 12 (Exhaust) | Ø 4 |
| Min. working pressure | 0 bar |
| Max. working pressure | 10 bar |
| Min. ambient temperature | 0 °C |
| Max. ambient temperature | 50 °C |
| Min. medium temperature | 0 °C |
| Max. medium temperature | 50 °C |
| Medium | Compressed air |
| Weight | 0.111 kg |
| Housing material | Aluminum |
| Seal material | Nitrile butadiene rubber |
| Part No. | R422101517 |

Technical information

A duty cycle of 100% is only valid for valves mounted separately.

In the non-actuated state, the sensor signal is “high”

Dimensions



1) Sensor plug M8, 3-pin

Shut-off module, Series AV

R422101517

blocking
valves

2024-05-28

electronic PNP

The orientation of the pins depends on the angular position of the sensor, which is random.

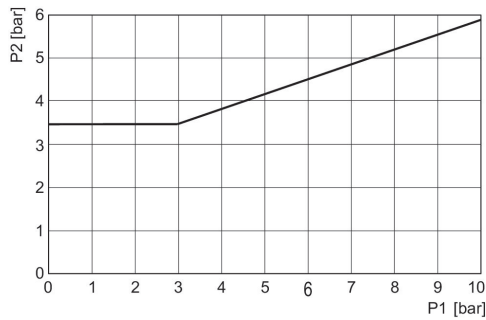
2) Pilot valve connection

3) Pilot air supply

4) Connection 2, valve side 5) Connection 4, valve side 6) Operating line 2 7) Operating line 4

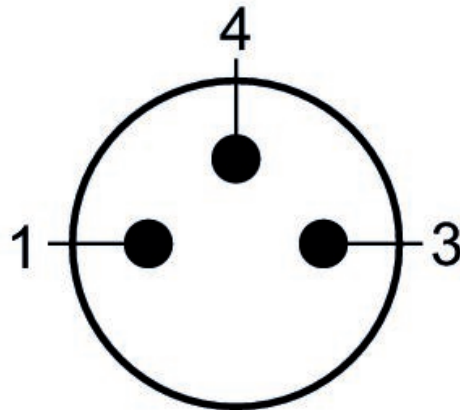
Pneumatic connection to base plate valves, suitable for all sizes in the AV03 and AV05 series

Minimum control pressure (depending on operating pressure)



p1 = pressure on connections 2 and 4, p2 = control pressure

Pilot valve pin assignment M8x1 (3-pin)



(1) BN=brown (3) BU=blue (4) BK=black

Sensor circuit diagram

