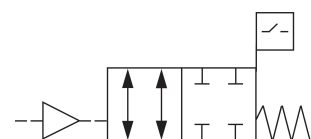


# Shut-off module, stand-alone

## R422101515

Shut-off module



### Technical data

Industry  
Industrial

Activation  
Pneumatically

Operating voltage DC, min.  
10 V DC

Operating voltage DC, max.  
30 V DC

Type sensor  
PNP

Sensor connection  
M8x1

Voltage drop U at I<sub>max</sub>  
< 2,5 V

Protection class sensor  
IP67

Compressed air connection input  
Ø 6

Nominal flow Q<sub>n</sub>  
400 l/min

Port 2 / 4  
Ø 6

Working pressure min.  
0 bar

Working pressure max  
10 bar

Min. ambient temperature  
0 °C

Max. ambient temperature  
60 °C

Min. medium temperature  
0 °C

Max. medium temperature  
60 °C

Medium  
Compressed air

**Weight**

0.1 kg

**Housing material**

Aluminum

**Seal material**

Nitrile butadiene rubber

**Part No.**

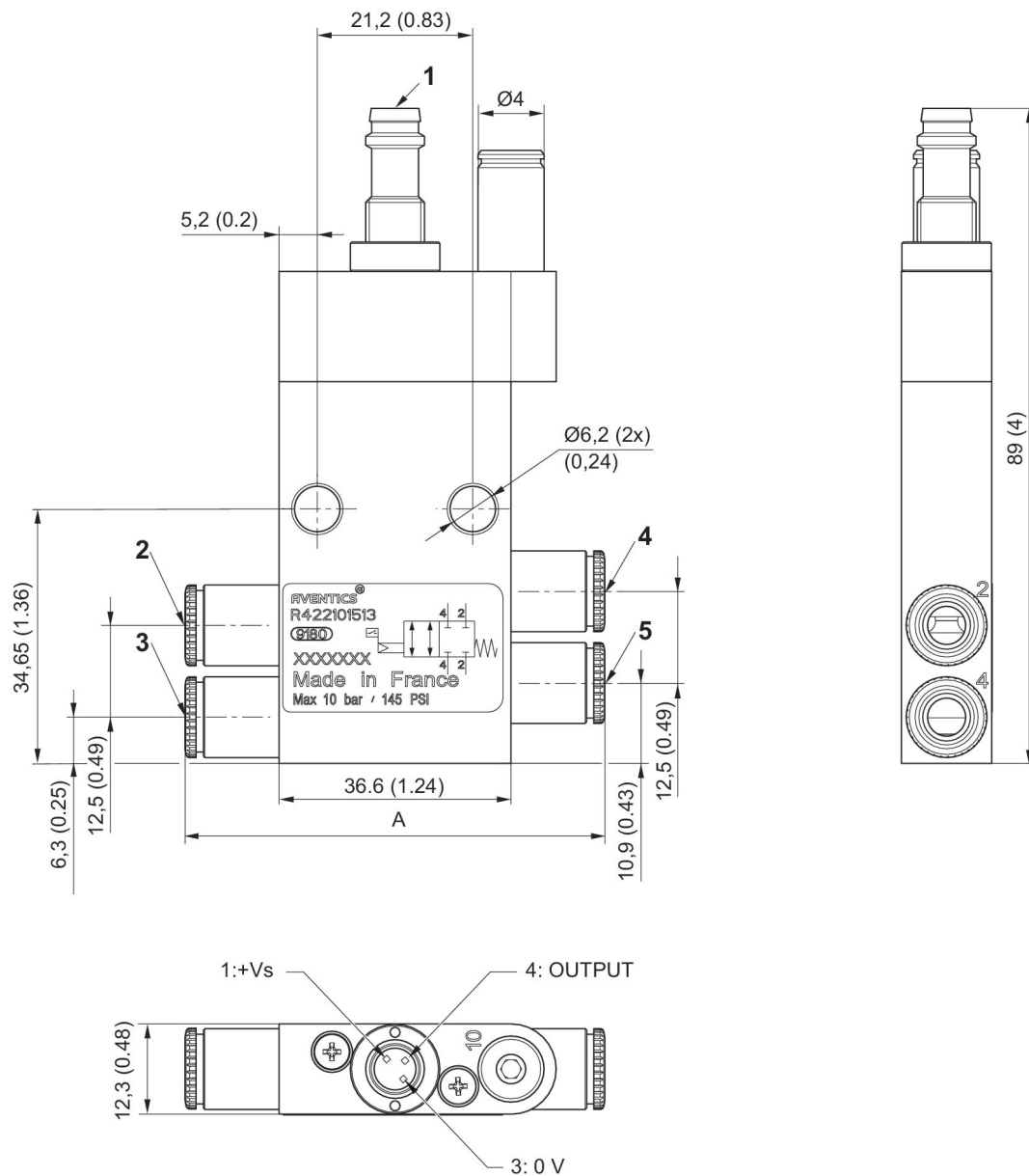
R422101515

## Technical information

In the non-actuated state, the sensor signal is “high”

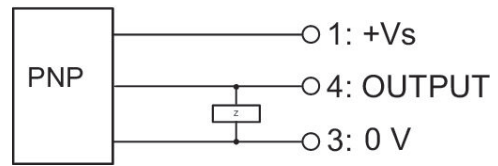
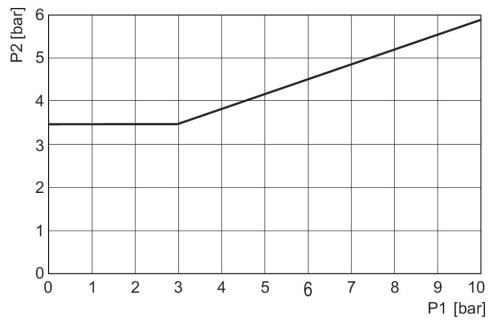
For push-in fittings, only use plug accessories made of plastic (polyamide) from our catalog.

## Dimensions



- 1) Sensor plug M8, 3-pin  
The orientation of the pins depends on the angular position of the sensor, which is random.  
Operating line 2  
Operating line 4  
Fittings

### Minimum control pressure (depending on operating pressure)    Sensor circuit diagram



p1 = pressure on connections 2 and 4, p2 = control pressure

Part No.	A
R422101513	57±1
R422101514	58±1