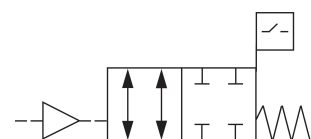


Shut-off module, stand-alone

R422101514

Shut-off module



Technical data

Industry
Industrial

Activation
Pneumatically

Operating voltage DC, min.
10 V DC

Operating voltage DC, max.
30 V DC

Type sensor
PNP

Sensor connection
M8x1

Voltage drop U at I_{max}
< 2,5 V

Protection class sensor
IP67

Compressed air connection input
Ø 8

Nominal flow Q_n
400 l/min

Port 2 / 4
Ø 8

Working pressure min.
0 bar

Working pressure max
10 bar

Min. ambient temperature
0 °C

Max. ambient temperature
60 °C

Min. medium temperature
0 °C

Max. medium temperature
60 °C

Medium
Compressed air

Weight

0.1 kg

Housing material

Aluminum

Seal material

Nitrile butadiene rubber

Part No.

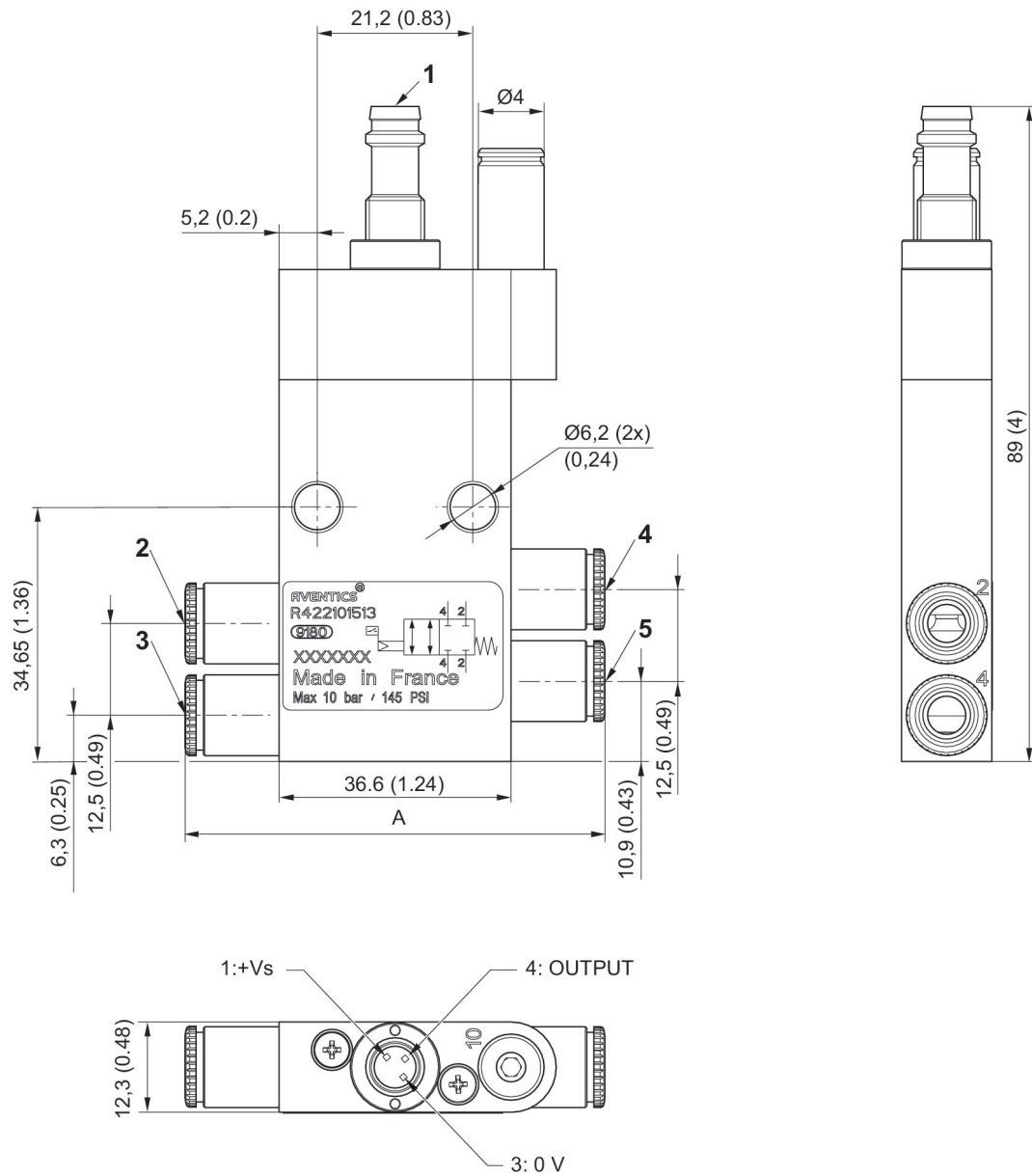
R422101514

Technical information

In the non-actuated state, the sensor signal is “high”

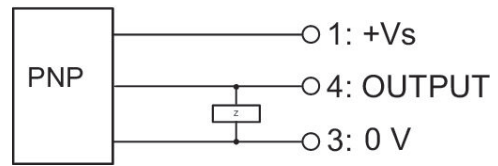
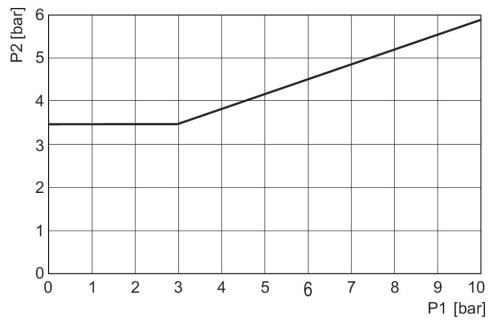
For push-in fittings, only use plug accessories made of plastic (polyamide) from our catalog.

Dimensions



- 1) Sensor plug M8, 3-pin
The orientation of the pins depends on the angular position of the sensor, which is random.
Operating line 2
Operating line 4
Fittings

Minimum control pressure (depending on operating pressure) Sensor circuit diagram



p1 = pressure on connections 2 and 4, p2 = control pressure

Part No.	A
R422101513	57±1
R422101514	58±1