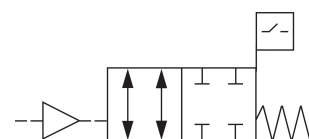


Shut-off module, Series AV

R422101509

Shut-off module



Technical data

Industry
Industrial

Activation
Pneumatically

Operating voltage DC, min.
10 V DC

Operating voltage DC, max.
30 V DC

Type sensor
PNP

Sensor current consumption max.
15 A

Voltage drop U at I_{max}
≤ 2,5 V

Protection class sensor
IP67

Compressed air connection type input
push-in fitting

Nominal flow Q_n
400 l/min

Port 2 / 4
Ø 1/4"

Working pressure min.
0 bar

Working pressure max
10 bar

Min. ambient temperature
0 °C

Max. ambient temperature
60 °C

Min. medium temperature
0 °C

Max. medium temperature
60 °C

Medium
Compressed air

Weight
0.1 kg
Housing material
Aluminum

Seal material
Nitrile butadiene rubber
Part No.
R422101509

Technical information

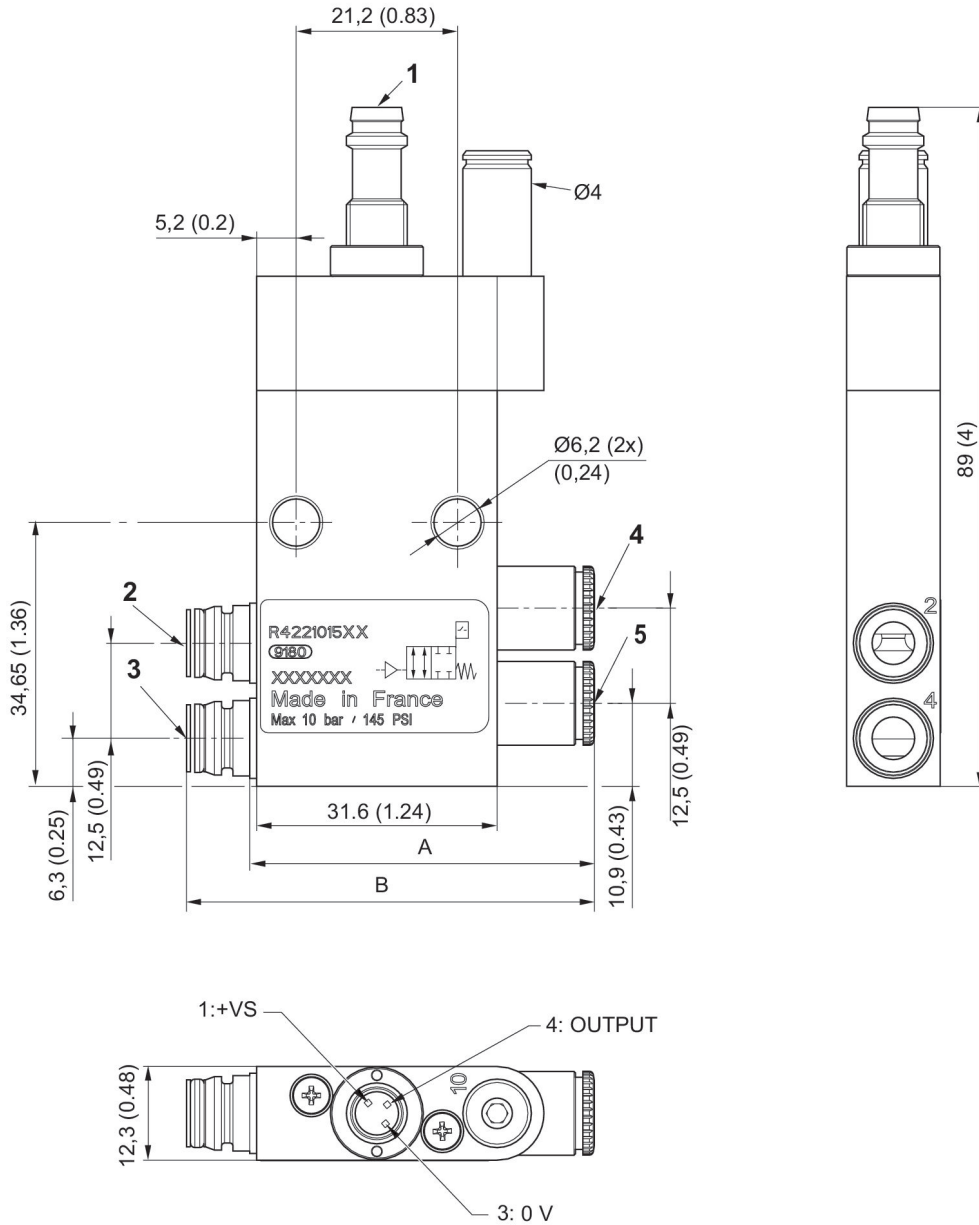
For push-in fittings, only use plug accessories made of plastic (polyamide) from our catalog.

A duty cycle of 100% is only valid for valves mounted separately.

In the non-actuated state, the sensor signal is “high”

When using polyurethane tubing, we recommend using additional stiffener sleeves.

Dimensions

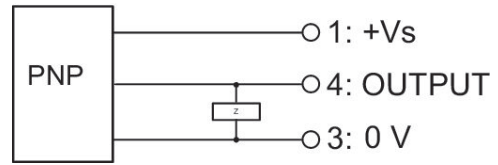
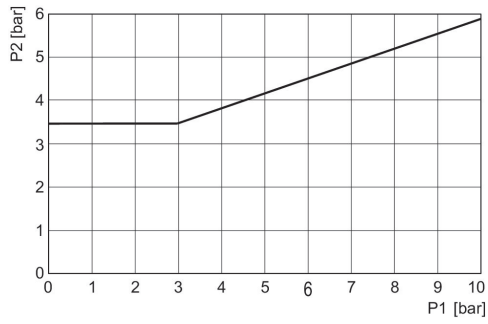


- 1) Sensor plug M8, 3-pin electronic PNP
The orientation of the pins depends on the angular position of the sensor, which is random.
- 2) Connection 2, valve side
- 3) Connection 4, valve side
- 4) Operating line 2
- 5) Operating line 4

Part No.	A	B
R422101509	45±1	53±1
R422101510	45±1	54±1

Part No.	A	B
R422101511	42±1	50±1
R499101512	38±1	46±1

Minimum control pressure (depending on operating pressure) Sensor circuit diagram



p1 = pressure on connections 2 and 4, p2 = control pressure