



## Technical data

Industry	Industrial
Type	End plate
For series	ES05
Type	type B
Compressed air connection input	G 3/8
Port exhaust	G 3/8
Pilot connection	G 1/8
Pilot control exhaust	G 1/8

Delivery unit	1 piece
Type	Multipole
Min. working pressure	0 bar
Max. working pressure	8 bar
Min. ambient temperature	5 °C
Max. ambient temperature	50 °C
Min. medium temperature	5 °C
Max. medium temperature	50 °C

electr. connection                      D-Sub plug, 25-pin, on the side

# End plate kit for D-Sub

2024-08-07

R422003355

---

Protection class	IP50
Mounting screw	Hexalobular socket (TORX) ISO 10664-10
Tightening torque for mounting screws	0.9 Nm

## Material

Housing material	Polyamide Polyoxymethylene
Screws material	Stainless Steel
Part No.	R422003355

## Technical information

Only use fittings with cylindrical threads (BSPP).

The min. control pressure must be adhered to, since otherwise faulty switching and valve failure may result!

The pressure dew point must be at least 15 °C less than ambient and medium temperature and may not exceed 3 °C.

The oil content of compressed air must remain constant during the life cycle.

Use only the approved oils from AVENTICS. Further information can be found in the "Technical information" document (available in <https://www.emerson.com/en-us/support>).

## Dimensions

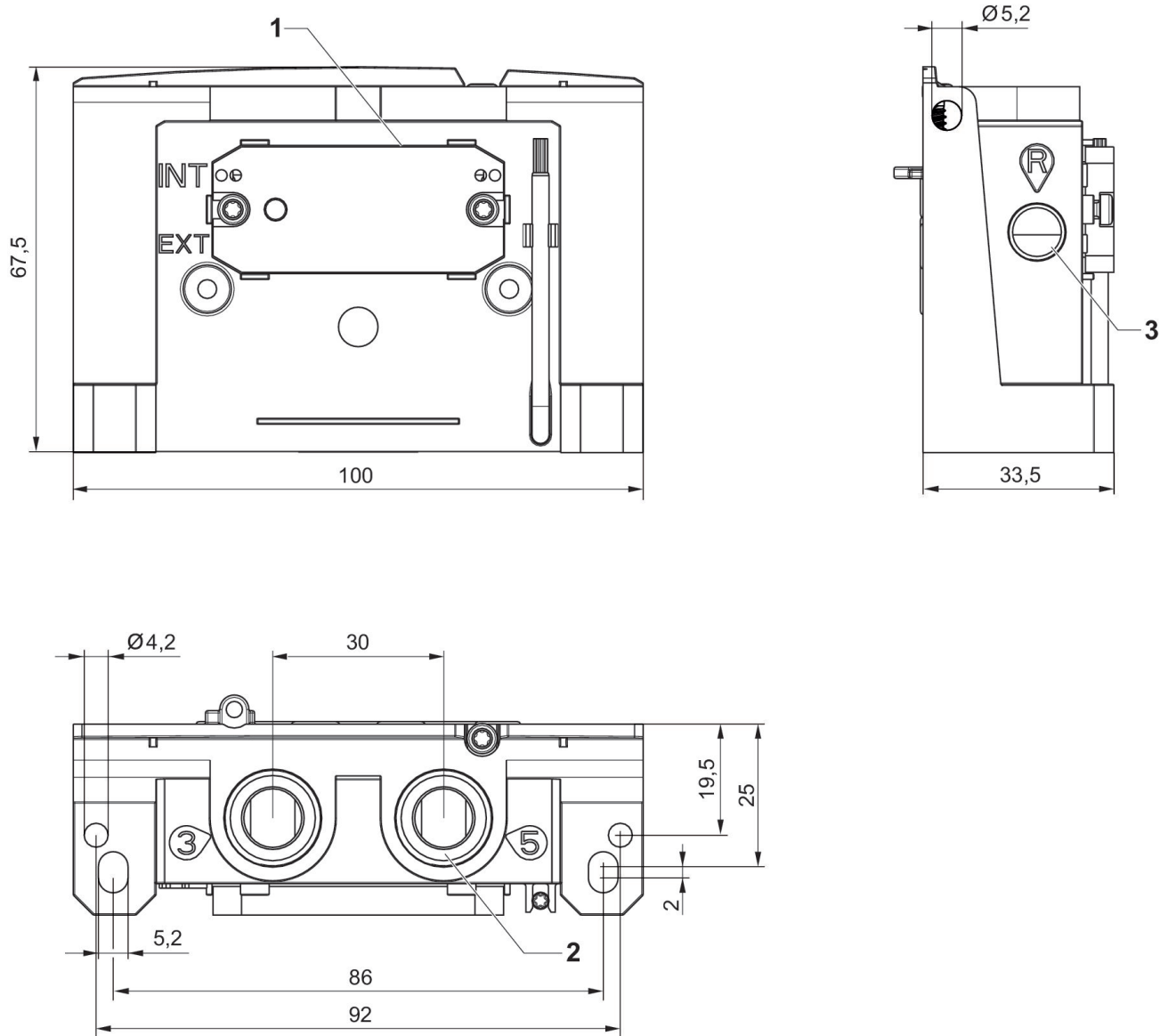
Right end plate

# End plate kit for D-Sub

2024-08-07

R422003355

Port 3 , 5 , R



- 1) Plate for internal or external pilot
- 2) Port 3, 5 G 3/8"
- 3) 2 connections R G1/8"

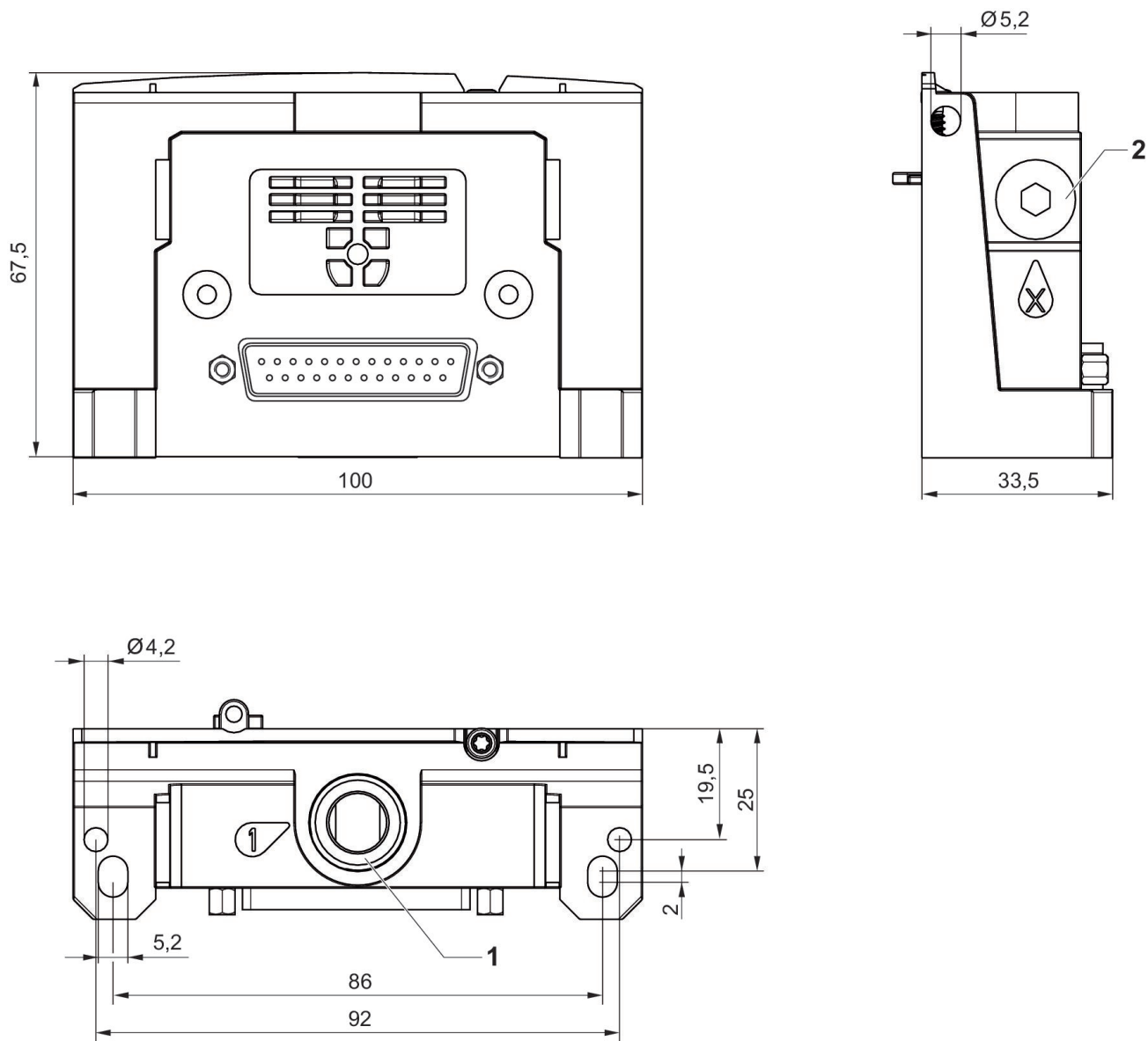
## Dimensions

# End plate kit for D-Sub

2024-08-07

R422003355

Left end plate  
Port 1, X



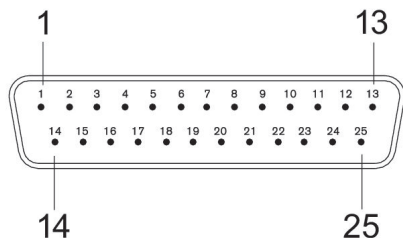
- 1) Port 1 G 3/8"
- 2) 2 connections X G 1/8"

# End plate kit for D-Sub

2024-08-07

R422003355

PIN assignment and cable colors  
cable identification as per DIN 47100



Plug

## type A

Valve position	Pin	Coil
1	1 / 2	14 / 12
2	3 / 4	14 / 12
3	5 / 6	14 / 12
4	7 / 8	14 / 12
5	9 / 10	14 / 12
6	11 / 12	14 / 12
7	13 / 14	14 / 12
8	15 / 16	14 / 12
9	17 / 18	14 / 12
10	19 / 20	14 / 12
11	21 / 22	14 / 12
12	23 / 24	14 / 12
	25	0 V DC

## type B

Valve position	Pin	Coil
1	1 / 14	14 / 12
2	2 / 15	14 / 12
3	3 / 16	14 / 12
4	4 / 17	14 / 12
5	5 / 18	14 / 12
6	6 / 19	14 / 12
7	7 / 20	14 / 12
8	8 / 21	14 / 12
9	9 / 22	14 / 12
10	10 / 23	14 / 12
11	11 / 24	14 / 12
12	12 / 25	14 / 12
	13	0 V DC