

End plate kit for single wiring

2024-08-07

R422003340



Technical data

Industry	Industrial
Type	End plate
For series	ES05
Compressed air connection input	G 3/8
Port exhaust	G 3/8
Pilot control exhaust	G 1/8
Delivery unit	1 piece
Min. working pressure	0 bar
Max. working pressure	8 bar
Min. ambient temperature	5 °C
Max. ambient temperature	50 °C
Min. medium temperature	5 °C
Max. medium temperature	50 °C
Mounting screw	Hexalobular socket (TORX) ISO 10664-10
Tightening torque for mounting screws	0.9 Nm

End plate kit for single wiring

2024-08-07

R422003340

Material

Screws material

Stainless Steel

Part No.

R422003340

Technical information

Only use fittings with cylindrical threads (BSPP).

The min. control pressure must be adhered to, since otherwise faulty switching and valve failure may result!

The pressure dew point must be at least 15 °C less than ambient and medium temperature and may not exceed 3 °C.

The oil content of compressed air must remain constant during the life cycle.

Use only the approved oils from AVENTICS. Further information can be found in the "Technical information" document (available in <https://www.emerson.com/en-us/support>).

Dimensions

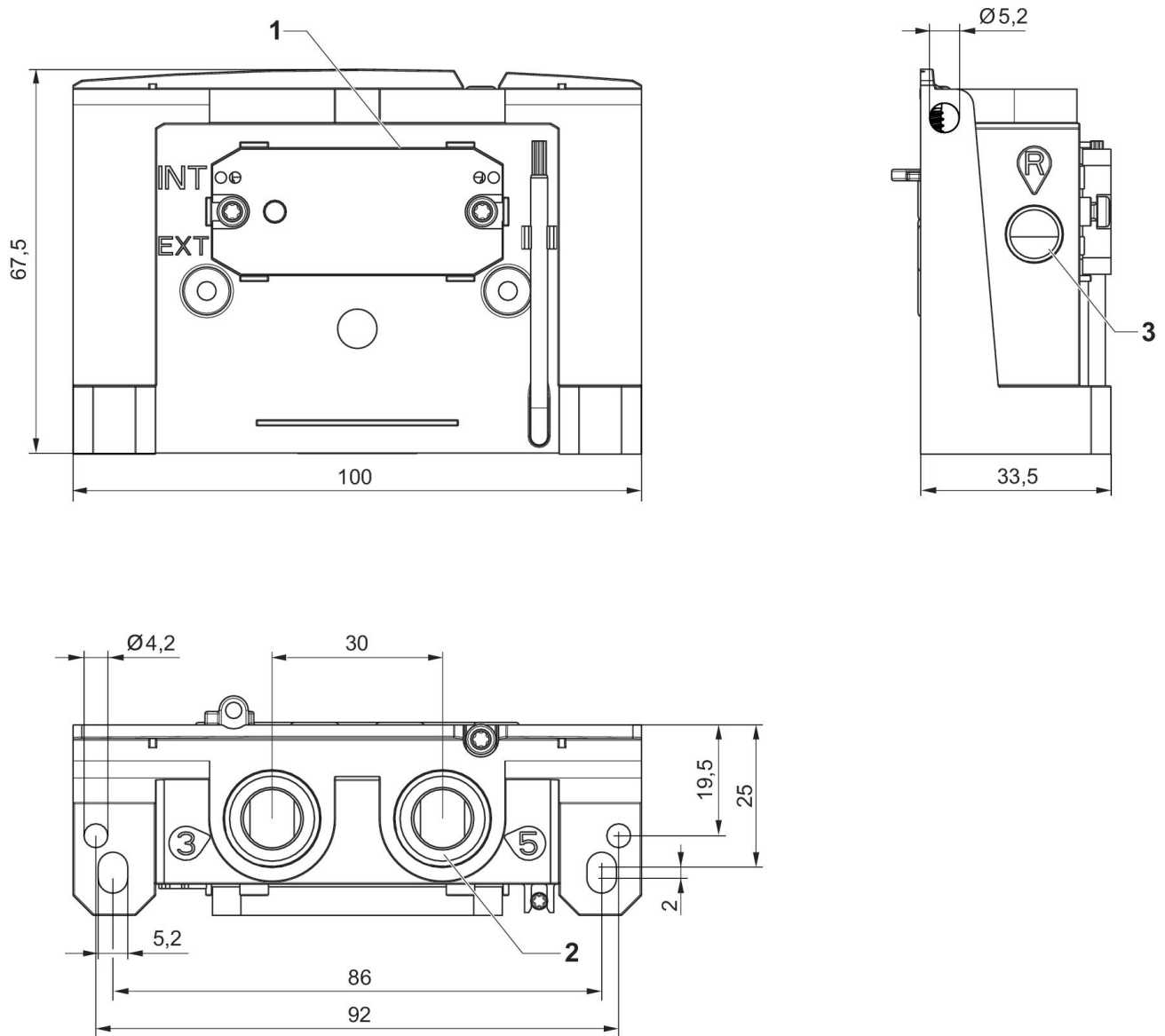
Right end plate

End plate kit for single wiring

2024-08-07

R422003340

Port 3 , 5 , R



- 1) Plate for internal or external pilot
- 2) Port 3, 5 G 3/8"
- 3) 2 connections R G1/8"

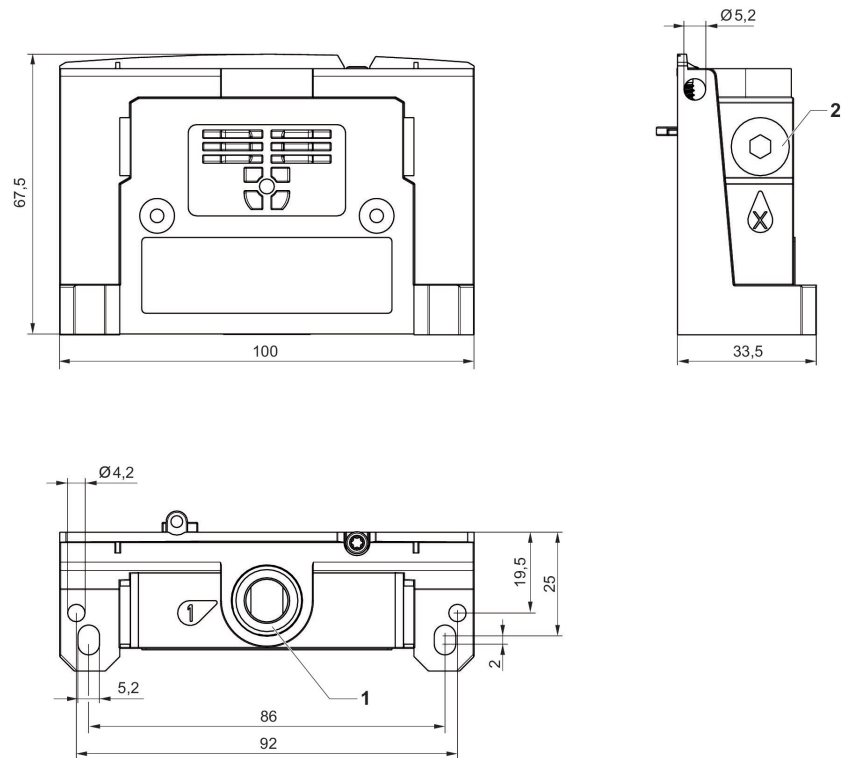
Dimensions

End plate kit for single wiring

2024-08-07

R422003340

Left end plate
Port 1, X



- 1) Port 1 G 3/8"
- 2) 2 connections X G 1/8"