

# Adapter kit to connect actuating controls to AP/ ST series valves

2024-08-13

R422002219

---



## Technical data

Industry

Industrial

Type

Adapter

Min. ambient temperature

-30 °C

Max. ambient temperature

70 °C

Weight

0.003 kg

## Material

Part No.

R422002219

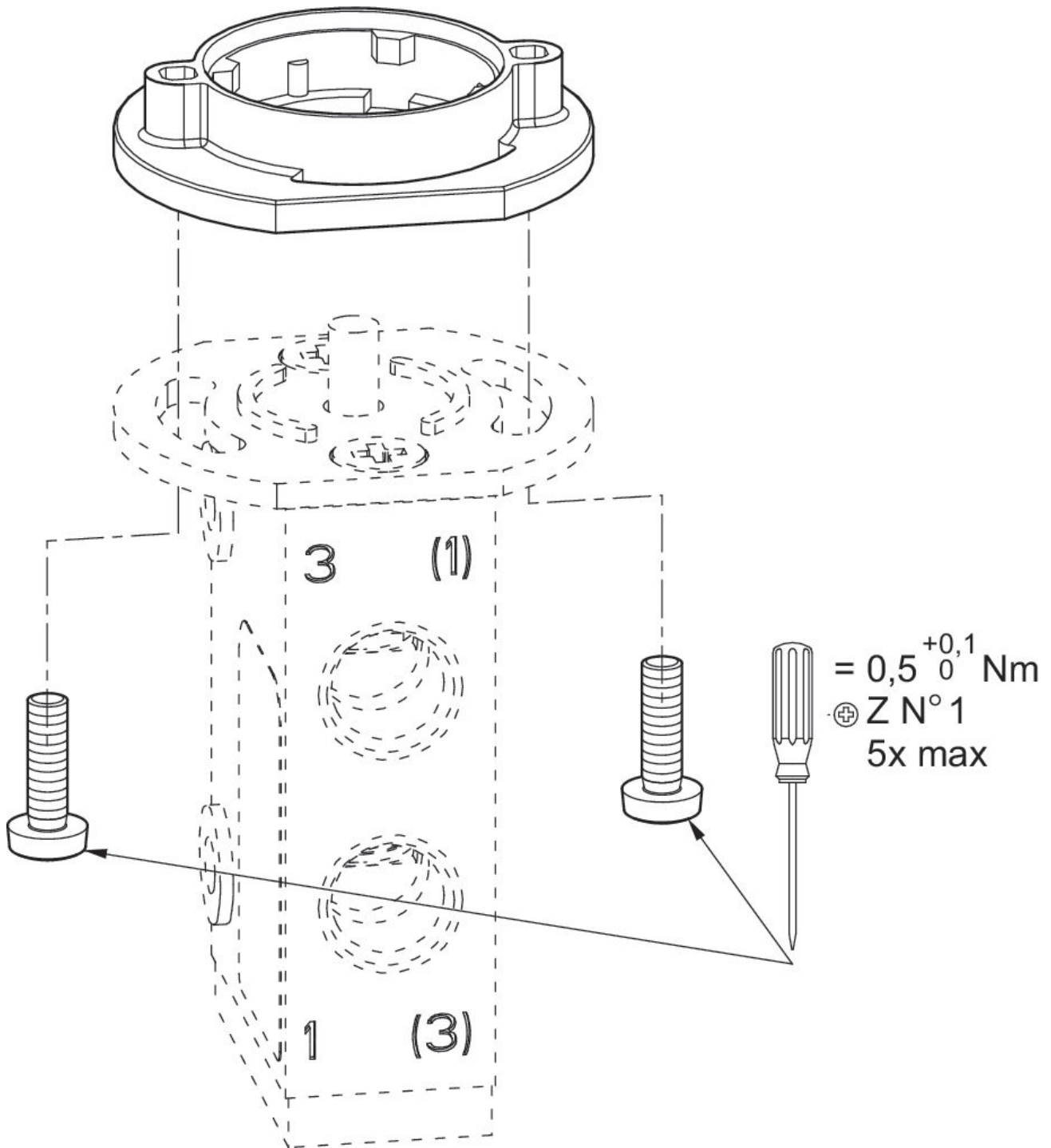
## Technical information

The adapter kit is only needed to connect the following actuating controls R412012734, R412012735, R412012736, R412012737, R412012738, R412012739, R412012740, R412012741, R412012742, R412012743, R412012744, R412012745, R412012746, R412012748 to the following valves 0820402024, 0820402025, 0820403024, 0820403025, 0820402106, 0820408007, 0820404025.

# Adapter kit to connect actuating controls to AP/ ST series valves

2024-08-13

R422002219  
Dimensions



for panel-mounted valves