

# Manifold strip

R422000945



## Technical data

Industry  
Industrial

Type  
Manifold strip

Nominal flow Qn  
1500 l/min

Min. ambient temperature  
-10 °C

Max. number of valve positions  
5

For series  
TC15

Type  
Manifold strip

Max. ambient temperature  
50 °C

Medium  
Compressed air

Weight  
0.408 kg

## Material

Material base plate  
Aluminum

Seal material  
Acrylonitrile butadiene rubber

Part No.  
R422000945

## Technical information

The min. control pressure must be adhered to, since otherwise faulty switching and valve failure may result!

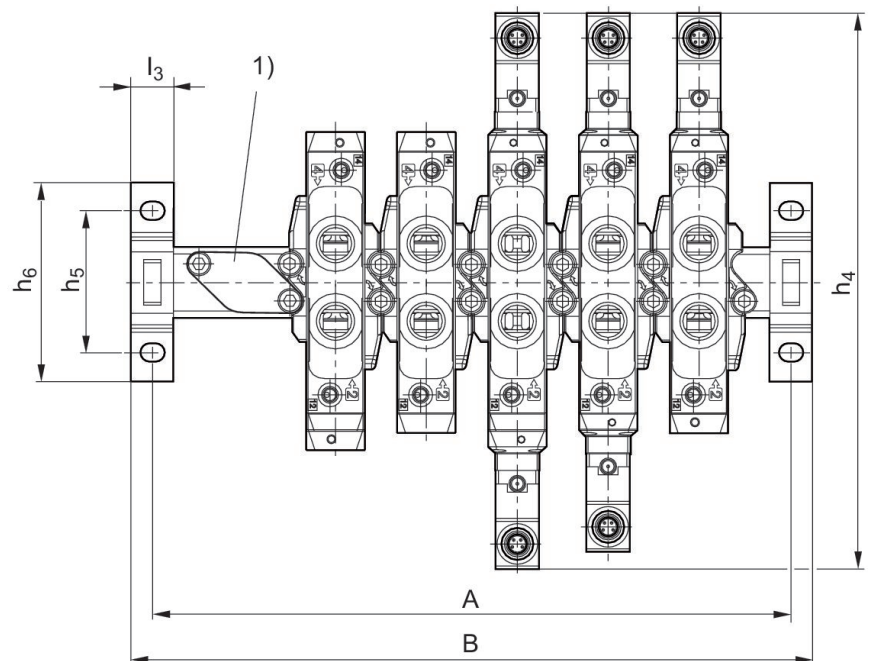
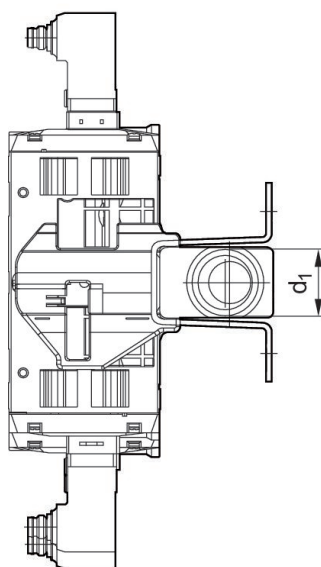
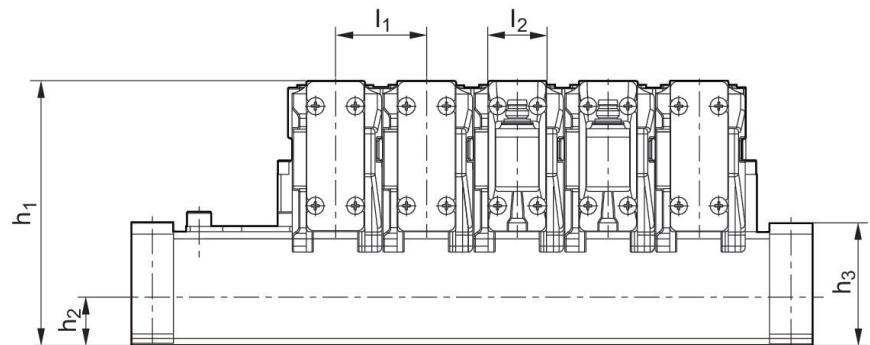
The pressure dew point must be at least 15 °C under ambient and medium temperature and may not exceed 3 °C .

The oil content of compressed air must remain constant during the life cycle.

Use only the approved oils from AVENTICS. Further information can be found in the "Technical information" document (available in <https://www.emerson.com/en-us/support>).

## Dimensions

### p-strip with support bracket



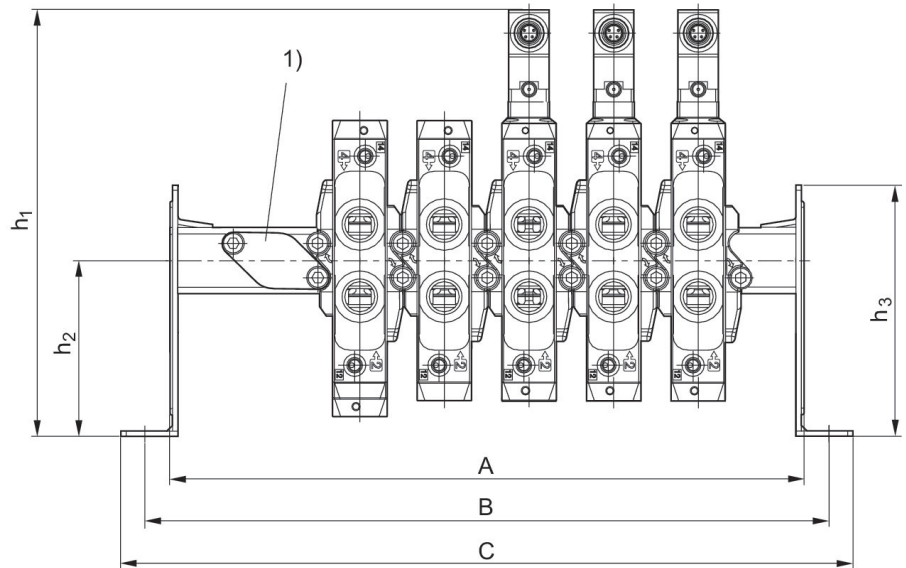
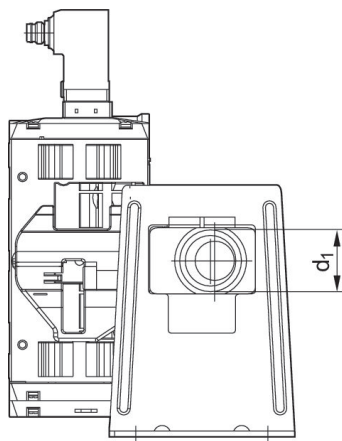
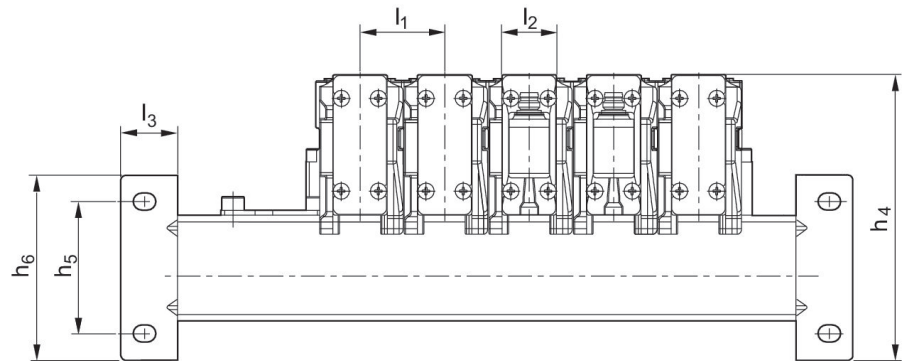
| Part No.   | n  | A   | B   | d1    | h1   | h2 | h3   | h4    | h5 |
|------------|----|-----|-----|-------|------|----|------|-------|----|
| R422000942 | 2  | 97  | 112 | G 1/2 | 93,2 | 17 | 43,1 | 195,6 | 50 |
| R422000943 | 3  | 129 | 144 | G 1/2 | 93,2 | 17 | 43,1 | 195,6 | 50 |
| R422000944 | 4  | 161 | 176 | G 1/2 | 93,2 | 17 | 43,1 | 195,6 | 50 |
| R422000945 | 5  | 193 | 208 | G 1/2 | 93,2 | 17 | 43,1 | 195,6 | 50 |
| R422000946 | 6  | 225 | 240 | G 1/2 | 93,2 | 17 | 43,1 | 195,6 | 50 |
| R412012680 | 8  | 289 | 304 | G 1/2 | 93,2 | 17 | 43,1 | 195,6 | 50 |
| R412012681 | 10 | 353 | 368 | G 1/2 | 93,2 | 17 | 43,1 | 195,6 | 50 |

| h6 | l1 | l2 | l3 |
|----|----|----|----|
| 70 | 32 | 21 | 15 |
| 70 | 32 | 21 | 15 |
| 70 | 32 | 21 | 15 |
| 70 | 32 | 21 | 15 |
| 70 | 32 | 21 | 15 |
| 70 | 32 | 21 | 15 |
| 70 | 32 | 21 | 15 |

n = number of valve positions

## Dimensions

P-strip with mounting bracket



| Part No.   | n  | A   | B   | C   | d1    | h1    | h2   | h3 | h4  |
|------------|----|-----|-----|-----|-------|-------|------|----|-----|
| R422000942 | 2  | 112 | 131 | 149 | G 1/2 | 161,3 | 66,5 | 95 | 108 |
| R422000943 | 3  | 144 | 163 | 181 | G 1/2 | 161,3 | 66,5 | 95 | 108 |
| R422000944 | 4  | 176 | 195 | 213 | G 1/2 | 161,3 | 66,5 | 95 | 108 |
| R422000945 | 5  | 208 | 227 | 245 | G 1/2 | 161,3 | 66,5 | 95 | 108 |
| R422000946 | 6  | 240 | 259 | 277 | G 1/2 | 161,3 | 66,5 | 95 | 108 |
| R412012680 | 8  | 304 | 323 | 341 | G 1/2 | 161,3 | 66,5 | 95 | 108 |
| R412012681 | 10 | 368 | 387 | 405 | G 1/2 | 161,3 | 66,5 | 95 | 108 |

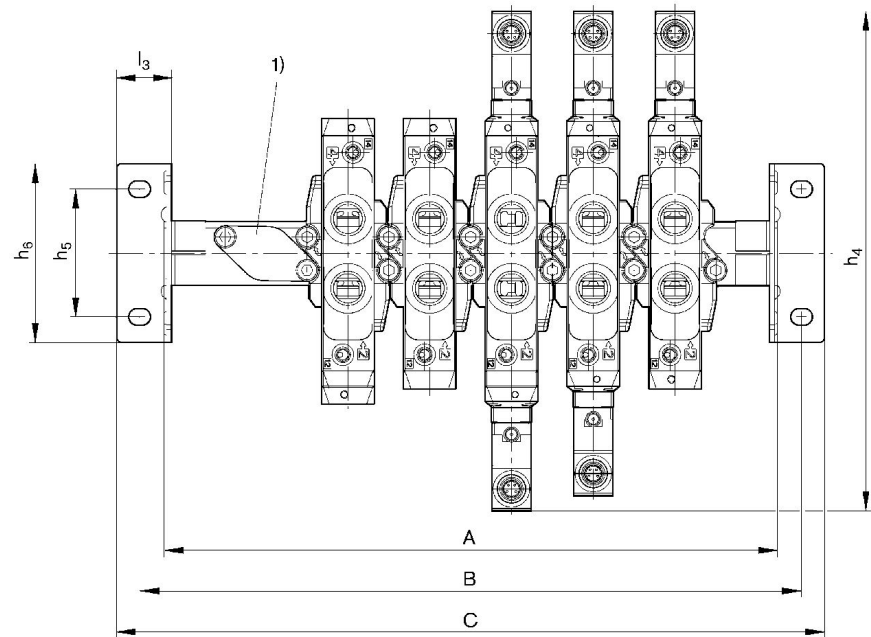
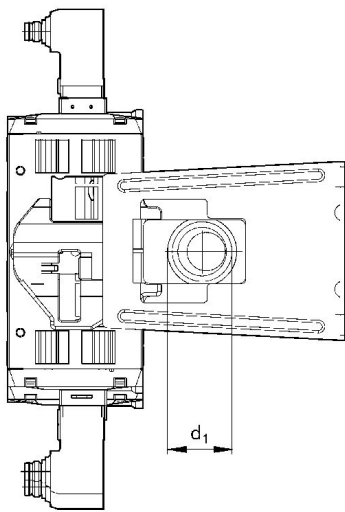
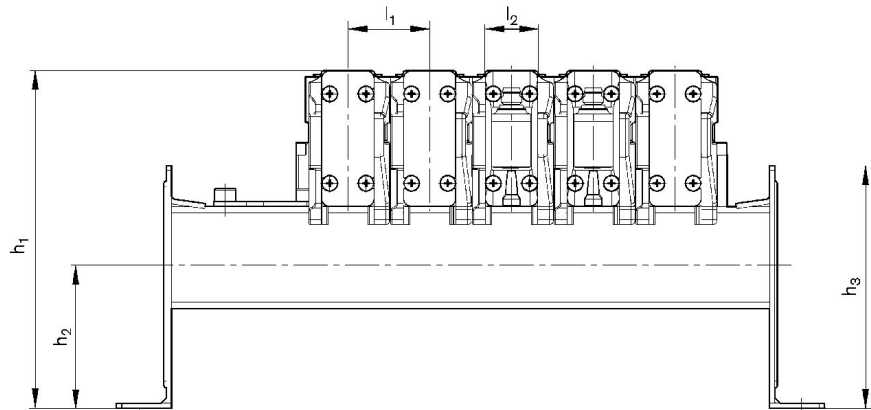
| h5 | h6 | l1 | l2 | l3   |
|----|----|----|----|------|
| 50 | 70 | 32 | 21 | 21,5 |
| 50 | 70 | 32 | 21 | 21,5 |
| 50 | 70 | 32 | 21 | 21,5 |
| 50 | 70 | 32 | 21 | 21,5 |

| h5 | h6 | l1 | l2 | l3   |
|----|----|----|----|------|
| 50 | 70 | 32 | 21 | 21,5 |
| 50 | 70 | 32 | 21 | 21,5 |
| 50 | 70 | 32 | 21 | 21,5 |

n = number of valve positions

## Dimensions

### P-strip with mounting bracket



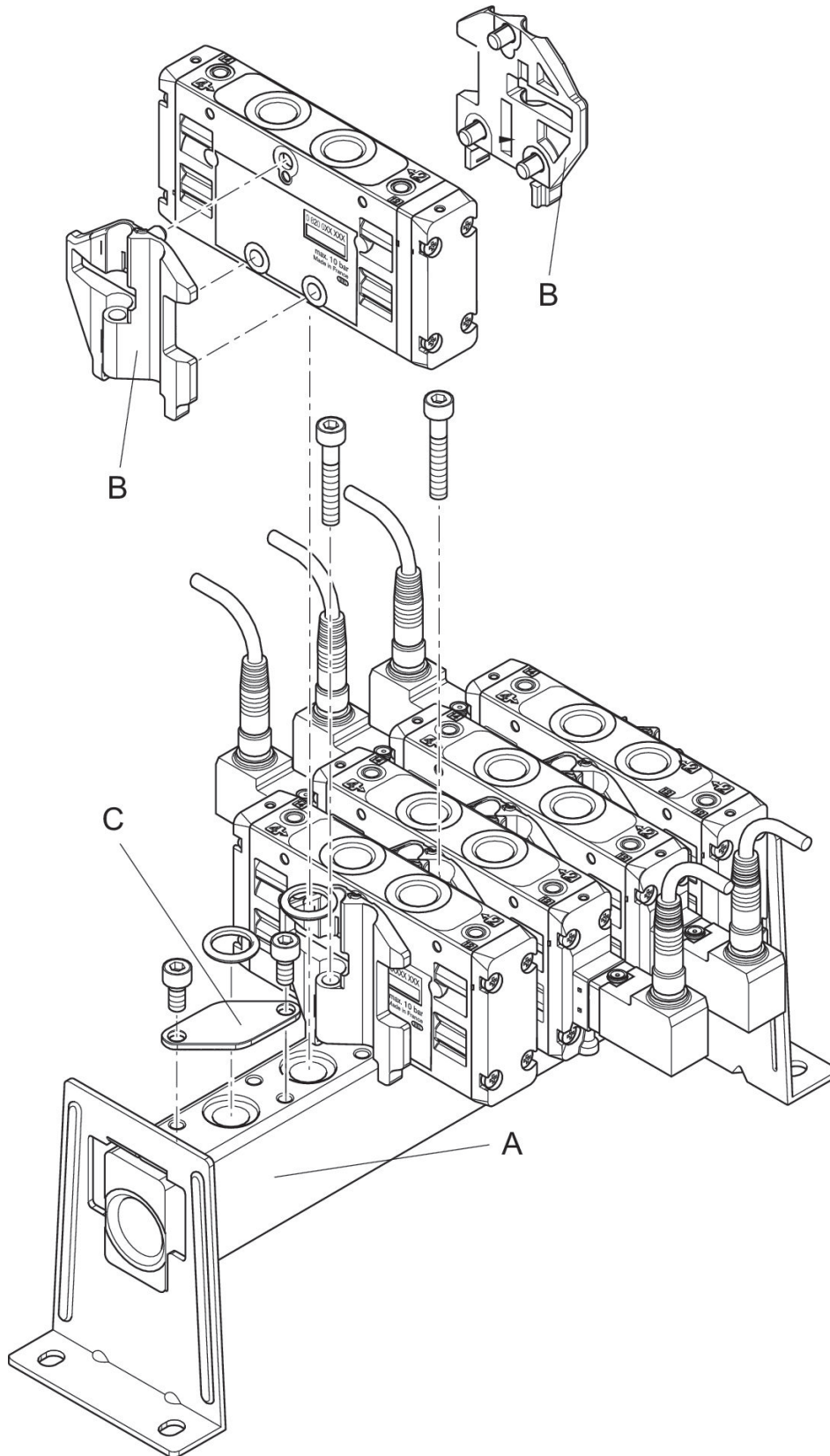
| Part No.   | n | A   | B   | C   | d1    | h1    | h2 | h3 | h4    |
|------------|---|-----|-----|-----|-------|-------|----|----|-------|
| R422000942 | 2 | 112 | 131 | 149 | G 1/2 | 132,2 | 56 | 95 | 195,6 |
| R422000943 | 3 | 144 | 163 | 181 | G 1/2 | 132,2 | 56 | 95 | 195,6 |

| Part No.   | n  | A   | B   | C   | d1    | h1    | h2 | h3 | h4    |
|------------|----|-----|-----|-----|-------|-------|----|----|-------|
| R422000944 | 4  | 176 | 195 | 213 | G 1/2 | 132,2 | 56 | 95 | 195,6 |
| R422000945 | 5  | 208 | 227 | 245 | G 1/2 | 132,2 | 56 | 95 | 195,6 |
| R422000946 | 6  | 240 | 259 | 277 | G 1/2 | 132,2 | 56 | 95 | 195,6 |
| R412012680 | 8  | 304 | 323 | 341 | G 1/2 | 132,2 | 56 | 95 | 195,6 |
| R412012681 | 10 | 368 | 387 | 405 | G 1/2 | 132,2 | 56 | 95 | 195,6 |

| h5 | h6 | l1 | l2 | l3   |
|----|----|----|----|------|
| 50 | 70 | 32 | 21 | 21,5 |
| 50 | 70 | 32 | 21 | 21,5 |
| 50 | 70 | 32 | 21 | 21,5 |
| 50 | 70 | 32 | 21 | 21,5 |
| 50 | 70 | 32 | 21 | 21,5 |
| 50 | 70 | 32 | 21 | 21,5 |
| 50 | 70 | 32 | 21 | 21,5 |

n = number of valve positions

## Dimensions



The following must be ordered to mount the valves: manifold strip A and mounting kit B  
C = Blanking plate

| Part No.   |   |
|------------|---|
| R422000942 | A |
| R422000943 | A |
| R422000944 | A |
| R422000945 | A |
| R422000946 | A |
| R422000947 | B |
| R422000938 | C |
| R412012680 | A |
| R412012681 | A |

## Dimensions

