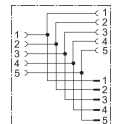


AVENTICS Series CON-RD Round plug connectors

The AVENTICS Series CON-RD offers round plug connectors for self assembly, as well as terminating plug for fieldbus , adaptors and y-connectors as well as IP protection caps.



Technical data

Industry	Industrial
Type	Round plug connectors
Shielding	shielded
Min. ambient temperature	-25 °C
Max. ambient temperature	85 °C
Max. current	4 A
Protection class	IP65
Operational voltage	40 V AC/DC
Electrical connection 1, type	Plug
Electrical connection 1, thread size	M12x1
Electrical connection 1, number of poles	5-pin
Electrical connection 1, coding	A-coded
Cable exit	straight
Cable exit angle	180°
Electrical connection 2, type	Socket
Electrical connection 2, thread size	M12x1
Electrical connection 2, number of poles	5-pin
Electrical connection 2, coding	A-coded
Cable exit	straight

Y-connector, Series CON-RD

R419800162

CON-RD

2023-10-09

Cable exit angle	180°
Weight	0.035 kg

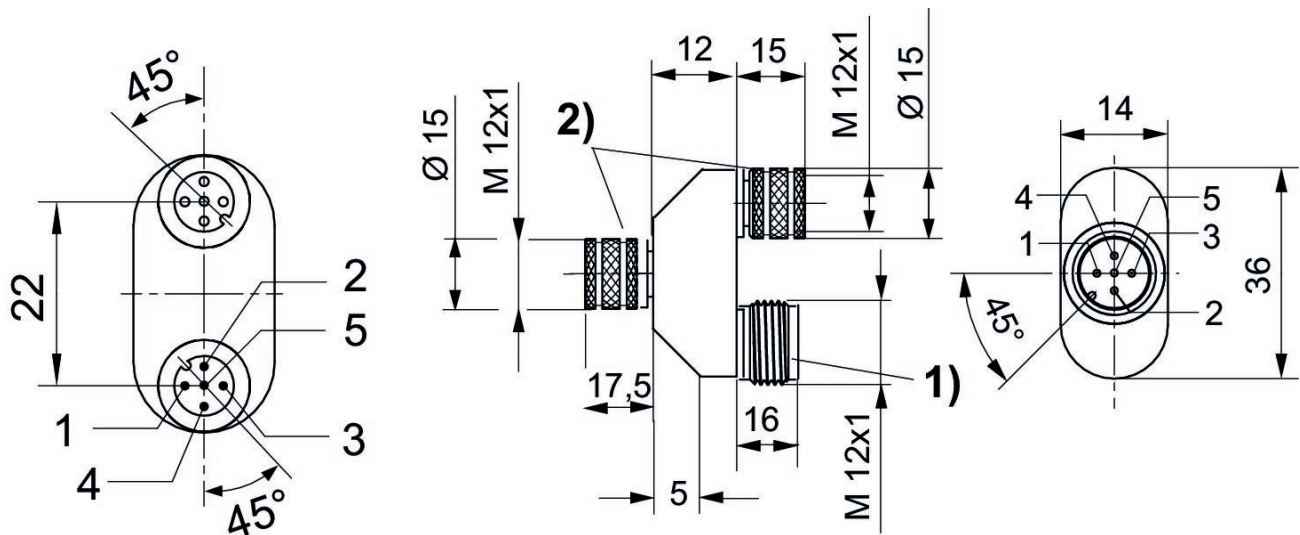
Material

Housing material	Polyurethane
Seal material	Fluorocautchouc
Part No.	R419800162

Technical information

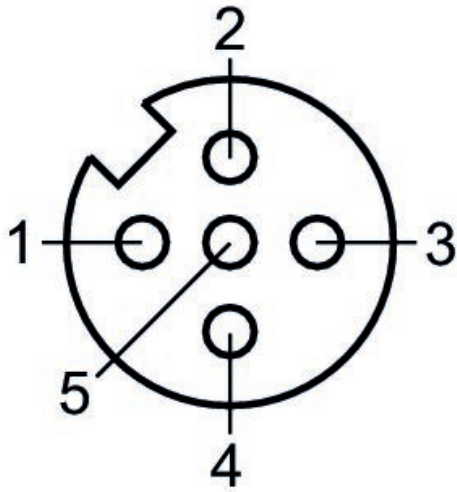
The specified protection class is only valid in assembled and tested state.

Dimensions



- 1) Plug
- 2) Socket

Pin assignment, socket



Plug pin assignment

