

Mounting for TH35-7.5 rail

R414002583

Mechanical accessories



Technical data

Industry
Industrial

Type
Mounting kit for DIN rail

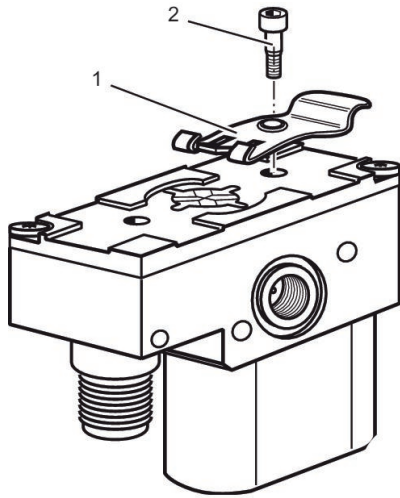
Delivery unit
1 piece

Weight
0.008 kg

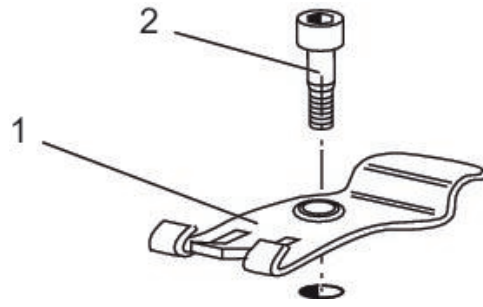
Part No.
R414002583

Technical information

Application example



Dimensions



Scope of delivery
1) Mounting plate
2) Mounting screw Tightening torque: 1 Nm