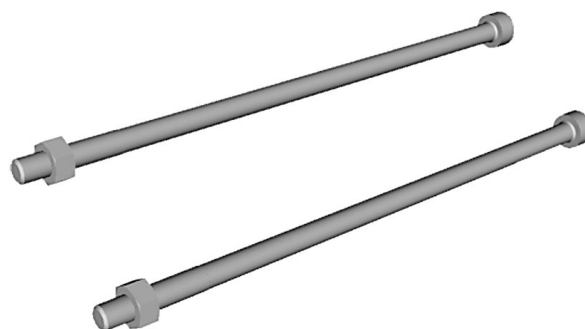


# Kits for linking

R414002579

Mechanical accessories



## Technical data

Industry  
Industrial

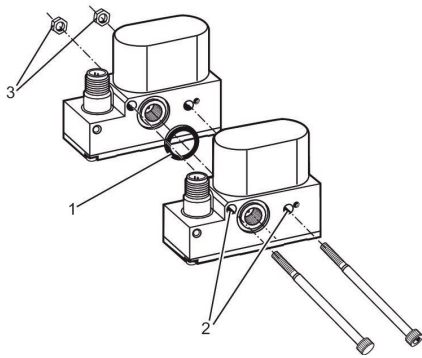
Type  
Kit for linking of 2 units

Weight  
0.027 kg

Part No.  
R414002579

## Technical information

## Dimensions



- 1) Seal
- 2) through-hole
- 3) Nut