

# Compensating coupling GU3 form A, series CG1

R413000279

Flexible  
couplings

2024-04-04

## AVENTICS Flexible couplings



### Technical data

Industry

Industrial

Thread size

M10x1,25

### Material

Housing material

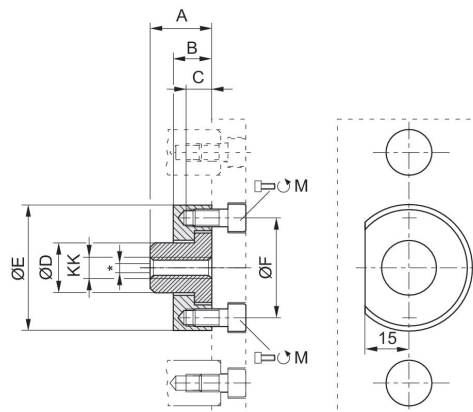
Stainless Steel

Screws material

Steel, chrome-plated

Part No.

R413000279



\* Radial joint from 1,0 ... 2,5 mm

# Compensating coupling GU3 form A, series CG1

R413000279

Flexible  
couplings

2024-04-04

KK	Part No.	Ø	M	A	B	C	ØD	ØE	ØF
M8	R413000277	20	2x M6x12	22	14	8	18	45	36
M10x1,25	R413000278	25	2x M6x12	22	14	8	18	45	36