

Compensating coupling GU3 form A, series CG1

R413000277

Flexible
couplings

2024-04-04

AVENTICS Flexible couplings



Technical data

Industry

Industrial

Thread size

M8

Material

Housing material

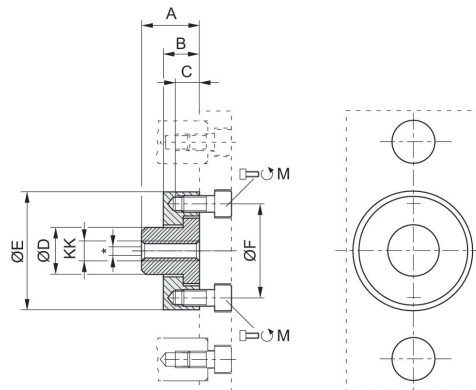
Stainless Steel

Screws material

Steel, chrome-plated

Part No.

R413000277



Compensating coupling GU3 form A, series CG1

R413000277

Flexible
couplings

2024-04-04

KK	Part No.	Ø	M	A	B	C	ØD	ØE	ØF
M10x1,25	R413000279	32	2x M6x12	22	14	8	18	45	36
M20x1,5	R413000282	80/100	4x M6x14	32	14	9.5	30	60	51