

- Ideal for all types of compressed air dryers with different measuring ranges such as -80...+20°Ctd or -20...+50°Ctd
- Condensation-resistant sensor element
- Long-term stability and drift-resistant
- Gas-independent measurement, also suitable for other, non-corrosive gases
- Fast adjustment time, especially in the event of moisture ingress
- Protection class IP 65
- Analog output 4...20 mA and Modbus RTU (RS 485) interface
- Modbus TCP PoE (Ethernet)
- Measured values available in various units, pressure dew point [°Ctd], temperature [°C], rel. humidity [%rh], abs. humidity [g/m³], degree of humidity [g/kg], moisture content V/V [ppmV/V], water vapor partial pressure [hPa], atmospheric dew point [°Ctd.atm]



Series DS1 Pressure Dew Point Sensor

With the DS1, you are making the right choice for maximum precision in dew point measurements. Our sensor offers a wide spectrum are of measuring ranges that are perfectly matched to the needs of different compressed air dryers. With the DS1, you are also able to determine the dew point in your maintenance unit and identify if moisture is leaking into your application. Rely on our DS1 for accurate results in every situation.

技术数据

行业	工业
测量范围	-20 ... +50 °Ctd
精度	± 1°C at + 50 ... - 20 °Ctd ± 2°C at - 20 ... - 50 °Ctd ± 3 °C at - 50 ... - 80 °Ctd
最小运行压力	-1 bar
最大运行压力	50 bar
额定电压	24 V DC 10-30 V DC
防护等级	IP65
合格证书	EMV in according with DIN EN 61326-1
最低环境温度	-40 °C
最高环境温度	80 °C
介质温度最小值	-20 °C
介质温度最大值	70 °C
注	ideal 0...50 °C
显示	TFT 1.8"

Dew point sensor DS1

R412029132

DS1 系列

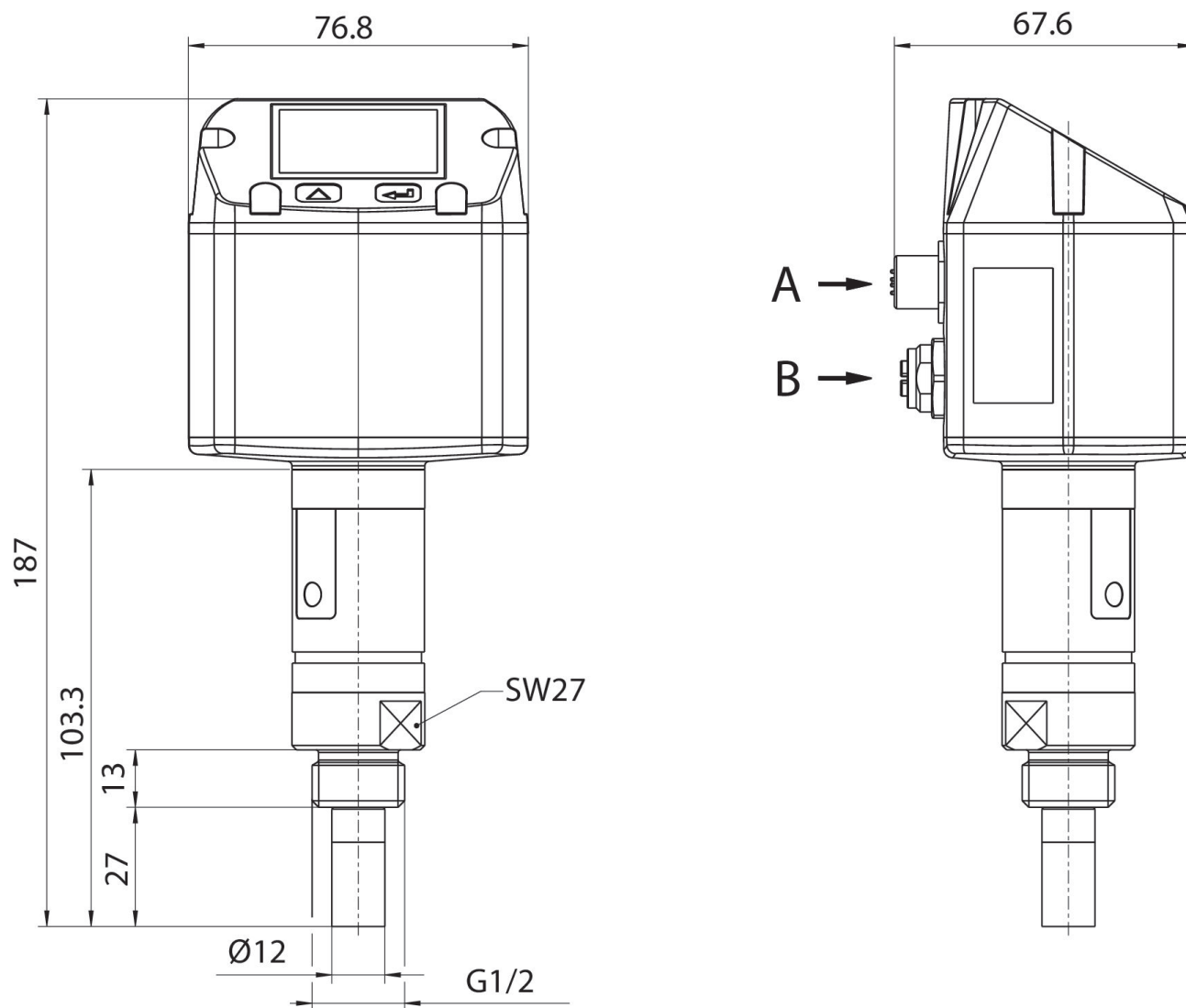
2024-10-17

显示	- 20 ... 50 °C
电气连接 类型	2x 多针插头
电气连接 尺寸	M12
电气连接 极数	5-针
PC 接口	Modbus-RTU Interface (RS 485)
输出信号	4 ... 20 mA = - 20 ... 50 °Ctd
负荷	< 500
重量	0.408 kg

材料

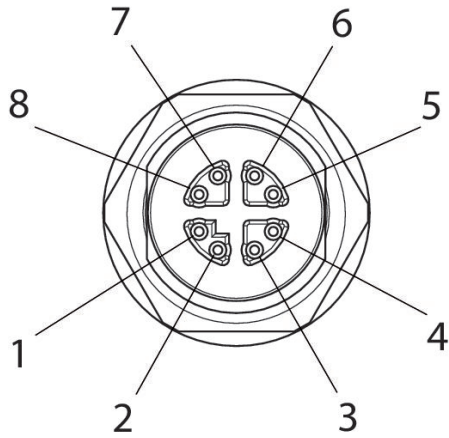
材料：外壳	聚酰胺(尼龙) 增强型玻璃纤维 (PA 66 GF)
物料号	R412029132

规格



- A) M12 五针插座
- B) M12 插座, 8 芯

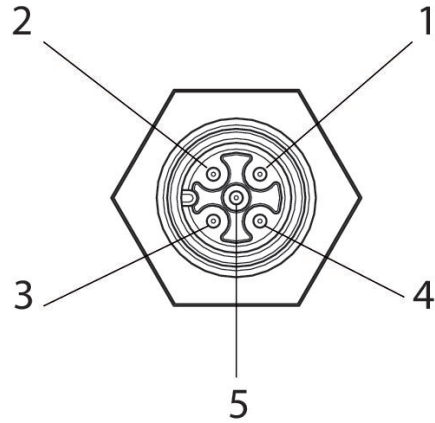
M12 插座, 8 芯



线脚设置

插脚	配置
1	OG-WH
2	OG
3	GN-WH
4	GN
5	BN-WH
6	BN
7	BU-WH
8	BU

M12 五针插座



线脚设置

插脚	配置
1	+VB
2	RS 485 (A)
3	-VB (GND)
4	RS 485 (B)
5	I+ (4 ... 20 mA)