

- Ideal for all types of compressed air dryers with different measuring ranges such as -80...+20°Ctd or -20...+50°Ctd
- Condensation-resistant sensor element
- Long-term stability and drift-resistant
- Gas-independent measurement, also suitable for other, non-corrosive gases
- Fast adjustment time, especially in the event of moisture ingress
- Protection class IP 65
- Analog output 4...20 mA and Modbus RTU (RS 485) interface
- Modbus TCP PoE (Ethernet)
- Measured values available in various units, pressure dew point [°Ctd], temperature [°C], rel. humidity [%rh], abs. humidity [g/m³], degree of humidity [g/kg], moisture content V/V [ppmV/V], water vapor partial pressure [hPa], atmospheric dew point [°Ctd.atm]



Series DS1 Pressure Dew Point Sensor

With the DS1, you are making the right choice for maximum precision in dew point measurements. Our sensor offers a wide spectrum of measuring ranges that are perfectly matched to the needs of different compressed air dryers. With the DS1, you are also able to determine the dew point in your maintenance unit and identify if moisture is leaking into your application. Rely on our DS1 for accurate results in every situation.

Datos técnicos

Sector	Industria
Margen de medición	-20 ... +50 °Ctd
Precisión	± 1°C at + 50 ... - 20 °Ctd ± 2°C at - 20 ... - 50 °Ctd ± 3 °C at - 50 ... - 80 °Ctd
Presión de funcionamiento mín.	-1 bar
Presión de funcionamiento máx.	50 bar
Tensión de servicio	24 V DC 10-30 V DC
Tipo de protección	IP65
Certificados	EMV según DIN EN 61326-1
Temperatura ambiente mín.	-40 °C
Temperatura ambiente máx.	80 °C
Temperatura del medio mín.	-20 °C
Temperatura del medio máx.	70 °C
Advertencia	ideal 0...50 °C
Pantalla	TFT 1.8"

Sensor de punto de rocío DS1

R412029132

Serie DS1

2024-10-17

Indicador	- 20 ... 50 °C
Conexión eléctrica tipo	2x Hembrilla
Attacco elettrico tamaño	M12
Conexión eléctrica número de polos	de 5 polos
PC Orificio	Modbus-RTU Interface (RS 485)
Señal de salida	4 ... 20 mA = - 20 ... 50 °Ctd
Carga para salida analógica	< 500
Peso	0.408 kg

Material

Material carcasa	Poliamida reforzada con fibras de vidrio (PA 66 GF)
N° de material	R412029132

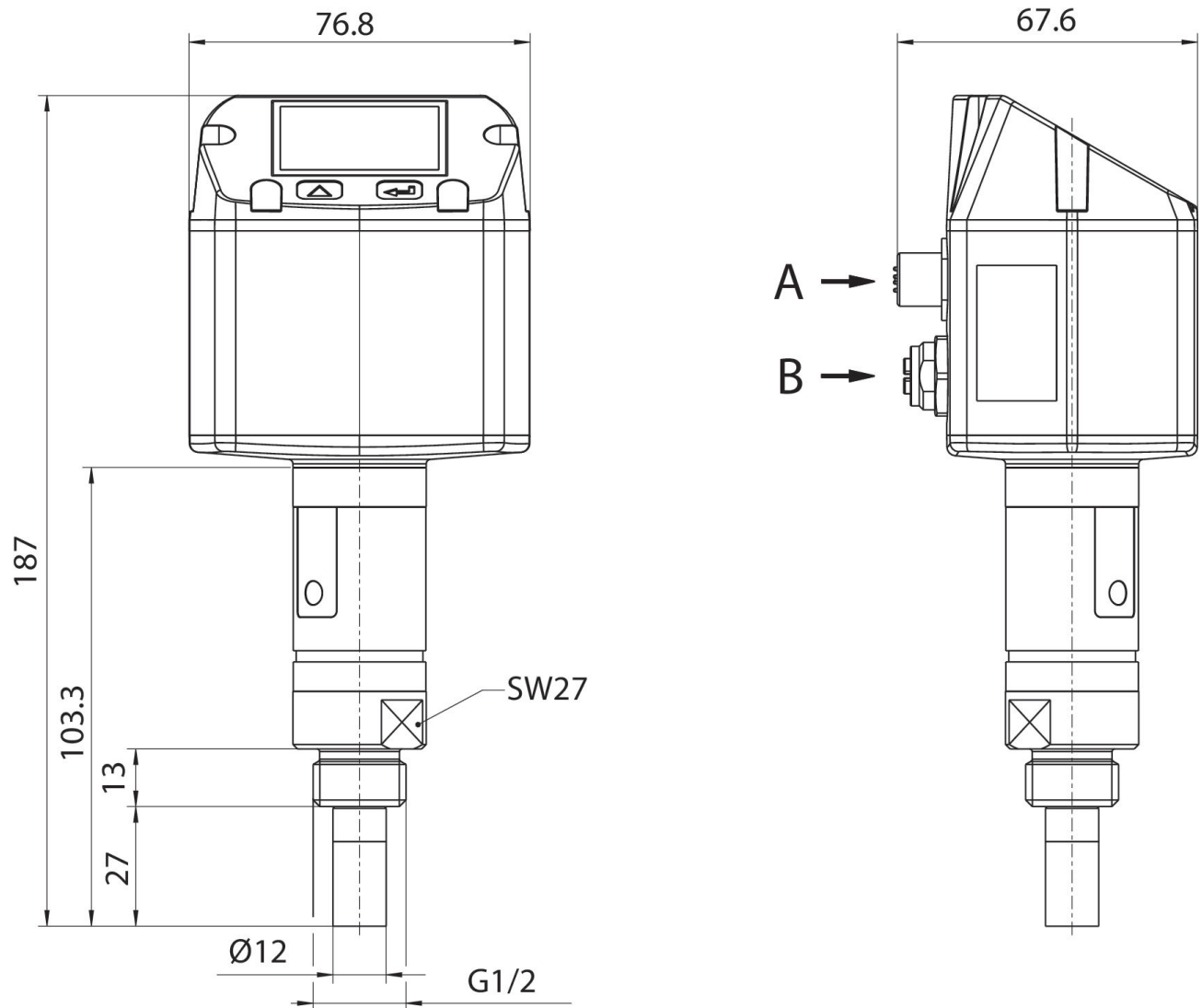
Sensor de punto de rocío DS1

R412029132

Serie DS1

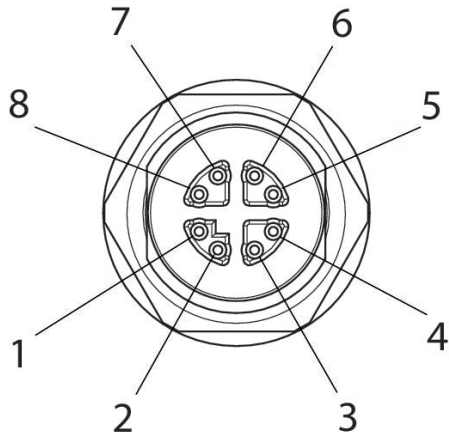
2024-10-17

Dimensiones

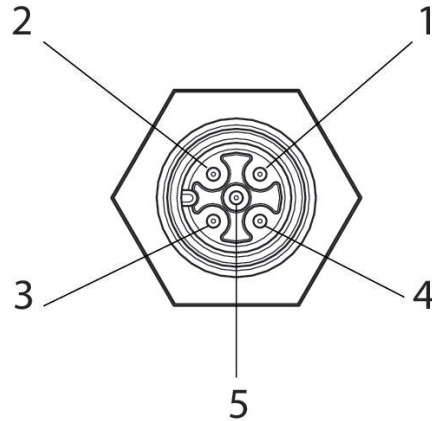


- A) hembra M12 de 5 polos
- B) hembra M12, de 8 polos

hembrilla M12, de 8 polos



hembrilla M12 de 5 polos



Ocupación de pines

Pin	Ocupación
1	OG-WH
2	OG
3	GN-WH
4	GN
5	BN-WH
6	BN
7	BU-WH
8	BU

Ocupación de pines

Pin	Ocupación
1	+VB
2	RS 485 (A)
3	-VB (GND)
4	RS 485 (B)
5	I+ (4 ... 20 mA)