

- Ideal for all types of compressed air dryers with different measuring ranges such as -80...+20°Ctd or -20...+50°Ctd
- Condensation-resistant sensor element
- Long-term stability and drift-resistant
- Gas-independent measurement, also suitable for other, non-corrosive gases
- Fast adjustment time, especially in the event of moisture ingress
- Protection class IP 65
- Analog output 4...20 mA and Modbus RTU (RS 485) interface
- Modbus TCP PoE (Ethernet)
- Measured values available in various units, pressure dew point [°Ctd], temperature [°C], rel. humidity [%rh], abs. humidity [g/m³], degree of humidity [g/kg], moisture content V/V [ppmV/V], water vapor partial pressure [hPa], atmospheric dew point [°Ctd.atm]



Series DS1 Pressure Dew Point Sensor

With the DS1, you are making the right choice for maximum precision in dew point measurements. Our sensor offers a wide spectrum of measuring ranges that are perfectly matched to the needs of different compressed air dryers. With the DS1, you are also able to determine the dew point in your maintenance unit and identify if moisture is leaking into your application. Rely on our DS1 for accurate results in every situation.

Dati tecnici

Settore	Industria
Campo di misurazione	-20 ... +50 °Ctd
Precisione	± 1°C at + 50 ... - 20 °Ctd ± 2°C at - 20 ... - 50 °Ctd ± 3 °C at - 50 ... - 80 °Ctd
Pressione di esercizio min.	-1 bar
Pressione di esercizio max	50 bar
Tensione di esercizio	24 V DC 10-30 V DC
Tipo di protezione	IP65
Certificati	EMV secondo DIN EN 61326-1
Temperatura ambiente min.	-40 °C
Temperatura ambiente max.	80 °C
Temperatura del fluido min.	-20 °C
Temperatura del fluido max.	70 °C
Nota	ideal 0...50 °C
Display	TFT 1.8"

Sensore del punto di rugiada DS1

R412029132

Serie DS1

2024-10-17

Indicazione	- 20 ... 50 °C
Attacco elettrico tipo	2x Boccia
Attacco elettrico taglia	M12
Conexión eléctrica numero poli	a 5 poli
PC Raccordo	Modbus-RTU Interface (RS 485)
Segnale in uscita	4 ... 20 mA = - 20 ... 50 °Ctd
Carico per uscita analogica	< 500
Peso	0.408 kg

Materiale

Materiale corpo	Poliammide rinforzata in fibra di vetro (PA 66 GF)
Codice	R412029132

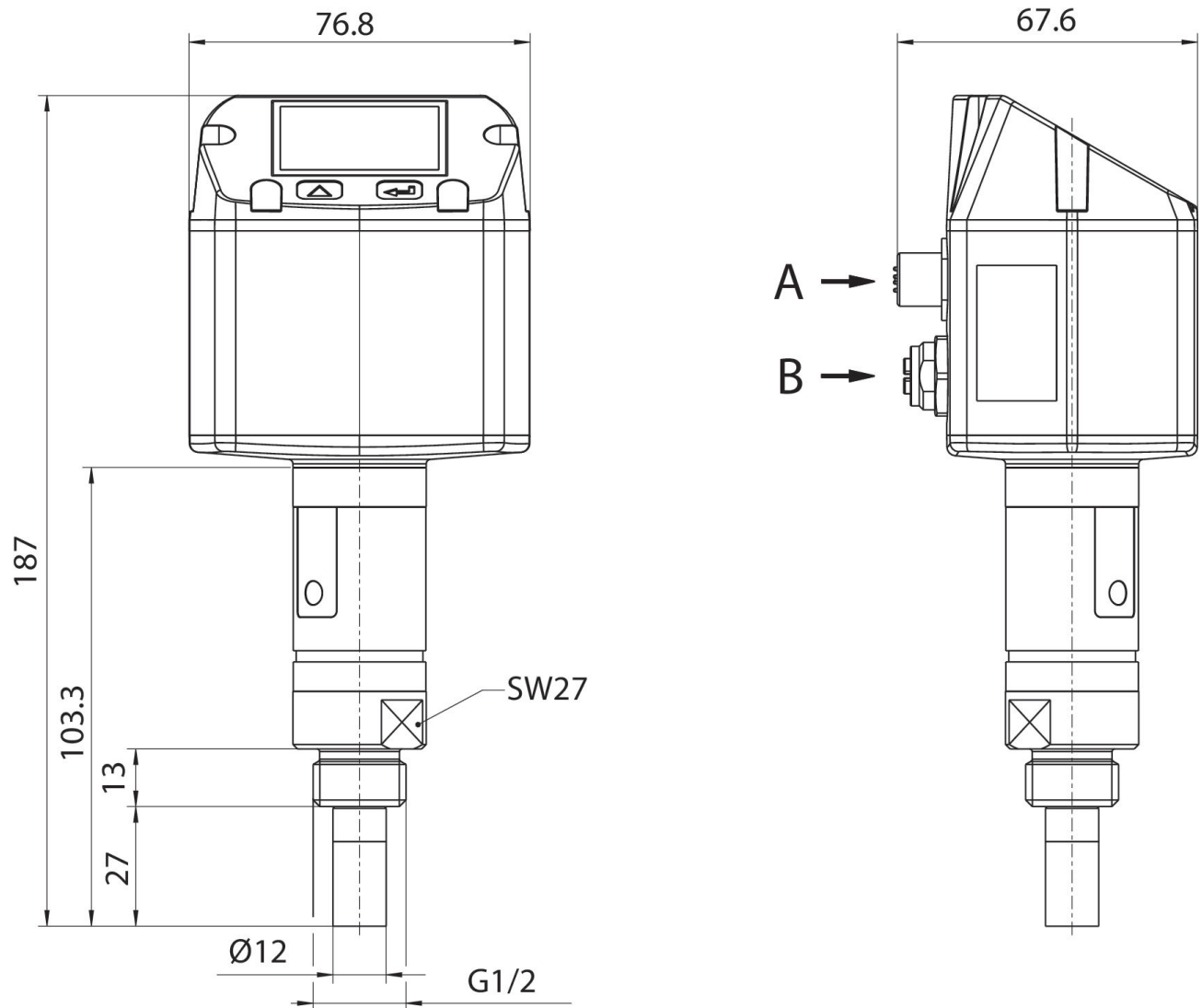
Sensore del punto di rugiada DS1

R412029132

Serie DS1

2024-10-17

Dimensioni



- A) boccia M12 a 5 poli
- B) boccia M12, a 8 poli

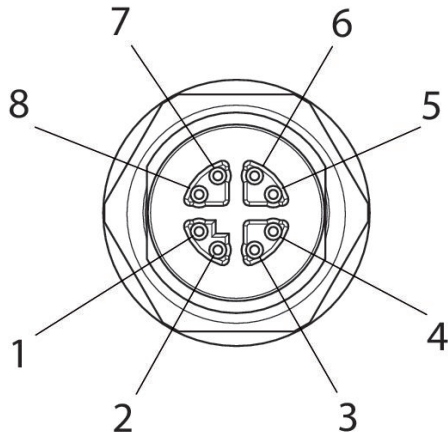
Sensore del punto di rugiada DS1

R412029132

Serie DS1

2024-10-17

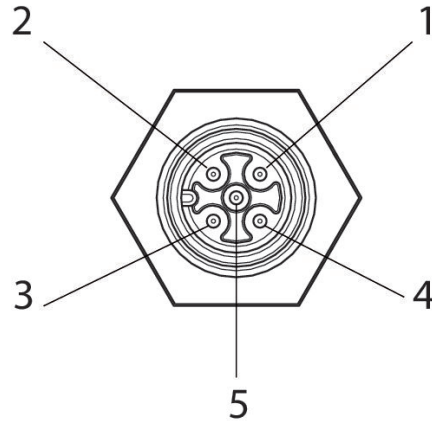
boccola M12, a 8 poli



Occupazione pin

Pin	Occupazione
1	OG-WH
2	OG
3	GN-WH
4	GN
5	BN-WH
6	BN
7	BU-WH
8	BU

boccola M12 a 5 poli



Occupazione pin

Pin	Occupazione
1	+VB
2	RS 485 (A)
3	-VB (GND)
4	RS 485 (B)
5	I+ (4 ... 20 mA)