

- Ideal for all types of compressed air dryers with different measuring ranges such as -80...+20°Ctd or -20...+50°Ctd
- Condensation-resistant sensor element
- Long-term stability and drift-resistant
- Gas-independent measurement, also suitable for other, non-corrosive gases
- Fast adjustment time, especially in the event of moisture ingress
- Protection class IP 65
- Analog output 4...20 mA and Modbus RTU (RS 485) interface
- Modbus TCP PoE (Ethernet)
- Measured values available in various units, pressure dew point [°Ctd], temperature [°C], rel. humidity [%rh], abs. humidity [g/m³], degree of humidity [g/kg], moisture content V/V [ppmV/V], water vapor partial pressure [hPa], atmospheric dew point [°Ctd.atm]



Series DS1 Pressure Dew Point Sensor

With the DS1, you are making the right choice for maximum precision in dew point measurements. Our sensor offers a wide spectrum of measuring ranges that are perfectly matched to the needs of different compressed air dryers. With the DS1, you are also able to determine the dew point in your maintenance unit and identify if moisture is leaking into your application. Rely on our DS1 for accurate results in every situation.

Données techniques

Secteur	Industrie
Plage de mesure	-20 ... +50 °Ctd
Précision	± 1°C at + 50 ... - 20 °Ctd ± 2°C at - 20 ... - 50 °Ctd ± 3 °C at - 50 ... - 80 °Ctd
Pression de service min.	-1 bar
Pression de service maxi	50 bar
Tension de service des équipements	24 V CC 10-30 V DC
Indice de protection	IP65
Certificats	EMV selon la norme DIN EN 61326-1
Température ambiante min.	-40 °C
Température ambiante max.	80 °C
Température min. du fluide	-20 °C
Température max. du fluide	70 °C
Remarque	ideal 0...50 °C
Affichage	TFT 1.8"

Capteur de point de rosée DS1

R412029132

Série DS1

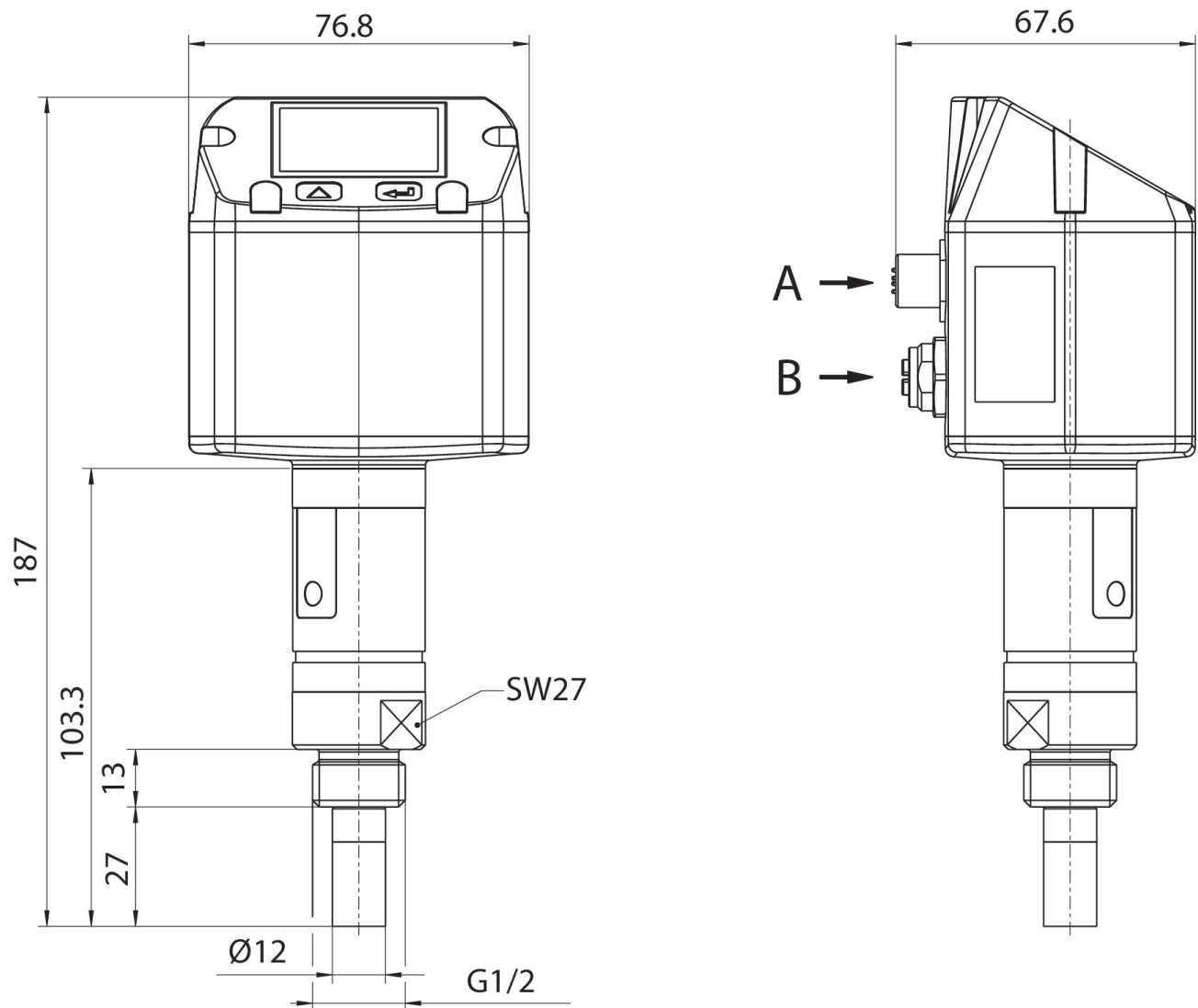
2024-10-17

Plage d'affichage	- 20 ... 50 °C
Raccordement électrique type	2x Prise femelle
Raccordement électrique, taille	M12
Raccordement électrique, Nombre de pôles	à 5 pôles
PC Orifice	Modbus-RTU Interface (RS 485)
Signal de sortie	4 ... 20 mA = - 20 ... 50 °Ctd
Charge pour sortie analogique	< 500
Poids	0.408 kg

Matériau

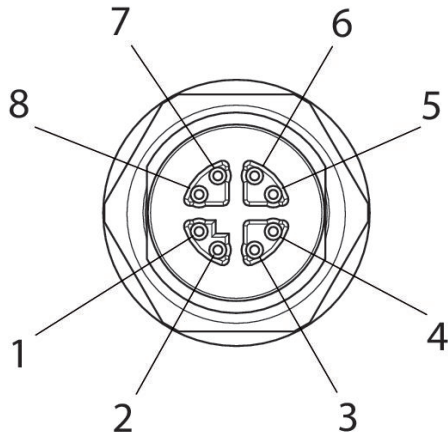
Matériau boîtiers	Polyamide renforcé par fibres de verre (PA 66 GF)
Référence	R412029132

Dimensions

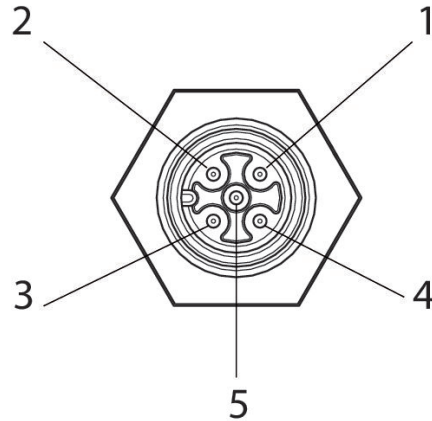


- A) Prise femelle M12 à 5 pôles
- B) Prise femelle M12 à 8 pôles

Prise femelle M12 à 8 pôles



Prise femelle M12 à 5 pôles



Affectation des broches

Broche	Affectation
1	OG-WH
2	OG
3	GN-WH
4	GN
5	BN-WH
6	BN
7	BU-WH
8	BU

Affectation des broches

Broche	Affectation
1	+VB
2	RS 485 (A)
3	-VB (GND)
4	RS 485 (B)
5	I+ (4 ... 20 mA)