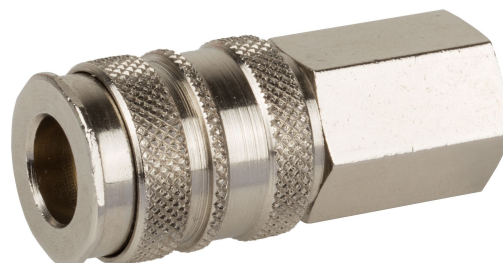


AVENTICS Series CP1 Couplings

The AVENTICS Series CP1 of safe couplings using single snap-on coupling are robust, safe and fit two different plug-in profiles, the EURO- profile and the ARO profile.



Technical data

Industry	Industrial
Port D	NW 7,8
Port G	G 1/4
Compressed air connection type	Internal thread
Nominal width NW	7.8 mm
Nominal flow Qn	2300 l/min
Min. working pressure	0 bar
Max. working pressure	16 bar
Min. ambient temperature	-10 °C
Max. ambient temperature	90 °C
Min. medium temperature	-10 °C
Max. medium temperature	90 °C
Medium	Compressed air
Delivery unit	1 piece
Weight per piece	0.1 kg
Housing material	Brass
Surface housing	nickel-plated
Material release bushing	Brass
Surface release bushing	nickel-plated

Lock coupling, Series CP1

R412028887

Series CP1

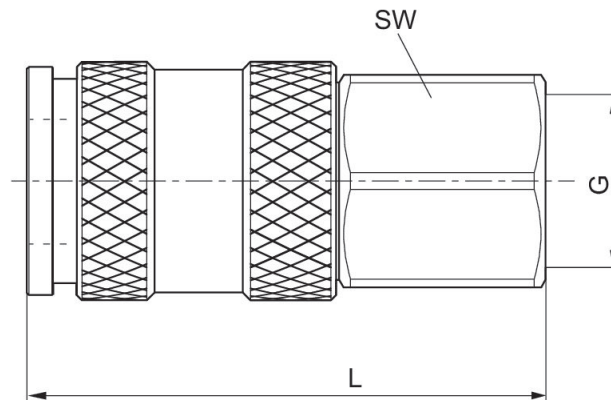
2024-06-04

Seal material	Acrylonitrile butadiene rubber
Material connector	Brass
Surface connector	nickel-plated
	R412028887

Technical information

Coupling plugs with NW 7.2 (brass) as well as NW 7.8 (steel) fit couplings with NW 7.2. Plugs with ARO profile are also suitable.

Dimensions



Part No.	Port G	Nominal width NW	L	SW
R412028887	G 1/4	7,8 mm	54	19
R412028880	G 3/8	7,8 mm	54	19
1823376039	G 1/2	7,8 mm	56	24