

Coupling plug with tube nut

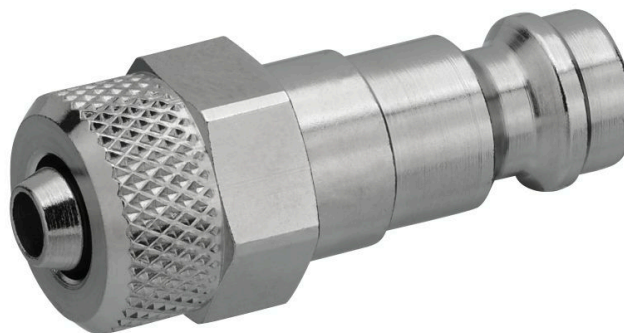
R412028886

Series CP1

2024-06-04

AVENTICS Series CP1 Couplings

The AVENTICS Series CP1 of safe couplings using single snap-on coupling are robust, safe and fit two different plug-in profiles, the EURO- profile and the ARO profile.



Technical data

Industry	Industrial
Port D	NW 5
Port G	Ø 6
Compressed air connection type	Coupling plug
Nominal width NW	5 mm
Min. working pressure	0 bar
Max. working pressure	16 bar
Min. ambient temperature	-10 °C
Max. ambient temperature	90 °C
Min. medium temperature	-10 °C
Max. medium temperature	90 °C
Medium	Compressed air
Delivery unit	10 piece
Weight per piece	0.018 kg
Housing material	Brass
Surface housing	nickel-plated
	R412028886

Coupling plug with tube nut

R412028886

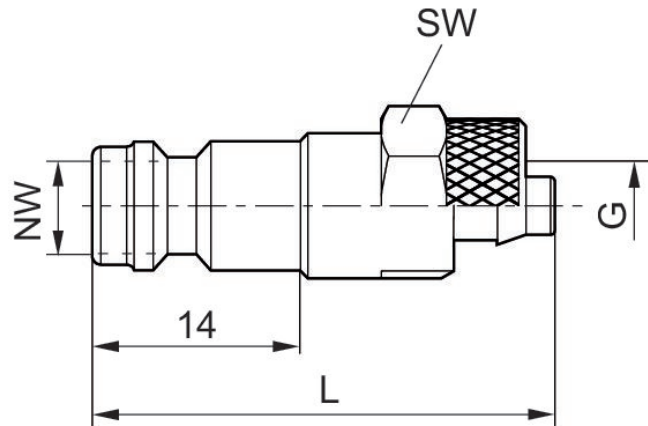
Series CP1

2024-06-04

Technical information

Coupling plugs are applicable for all locking and safety couplings with adequate nominal width

Dimensions



Part No.	Port G	Nominal width NW	L	SW
R412028886	Ø 6	5 mm	33	12
1823386066	Ø 8	5 mm	33	14