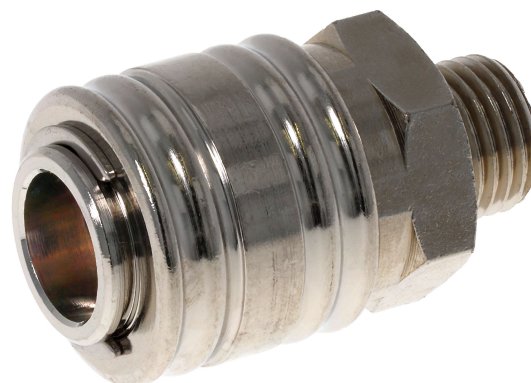


- $Q_n = 3200$ l/min

AVENTICS Series CP1 Couplings

The AVENTICS Series CP1 of safe couplings using single snap-on coupling are robust, safe and fit two different plug-in profiles, the EURO- profile and the ARO profile.



Technical data

Industry	Industrial
Port D	NW 7,2
Port G	G 3/8
Compressed air connection type	External thread
Nominal width NW	7.2 mm
Nominal flow Q_n	1500 l/min
Min. working pressure	0 bar
Max. working pressure	16 bar
Min. ambient temperature	-10 °C
Max. ambient temperature	90 °C
Min. medium temperature	-10 °C
Max. medium temperature	90 °C
Medium	Compressed air
Delivery unit	2 piece
Weight per piece	0.07 kg
Housing material	Brass
Surface housing	nickel-plated
Material release bushing	Brass
Surface release bushing	nickel-plated

Lock coupling, Series CP1

R412028885

Series CP1

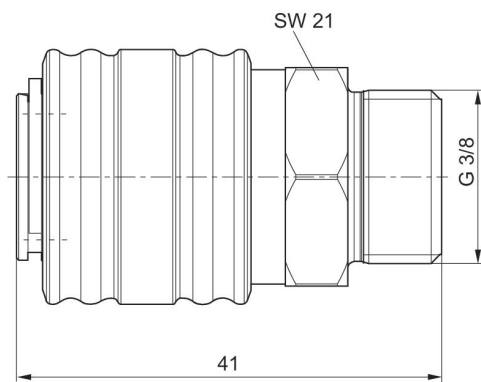
2024-06-21

Seal material	Acrylonitrile butadiene rubber
Material connector	Brass
Surface connector	nickel-plated
	R412028885

Technical information

Coupling plugs with NW 7.2 (brass) as well as NW 7.8 (steel) fit couplings with NW 7.2.

Dimensions



Part No.	Port G	Nominal width NW	L	SW
R412028879	G 1/4	7,2 mm	41	21
R412028885	G 3/8	7,2 mm	41	21
R412028911	G 1/2	7,2 mm	41	21