

# Coupling plug with external thread

R412028882

Series CP1

2024-06-04

## AVENTICS Series CP1 Couplings

The AVENTICS Series CP1 of safe couplings using single snap-on coupling are robust, safe and fit two different plug-in profiles, the EURO- profile and the ARO profile.



## Technical data

Industry	Industrial
Port D	NW 7,2
Port G	G 1/4
Compressed air connection type	Coupling plug
Nominal width NW	7.2 mm
Min. working pressure	0 bar
Max. working pressure	16 bar
Min. ambient temperature	-10 °C
Max. ambient temperature	90 °C
Min. medium temperature	-10 °C
Max. medium temperature	90 °C
Medium	Compressed air
Delivery unit	10 piece
Weight per piece	0.022 kg
Housing material	Brass
Surface housing	nickel-plated
	R412028882

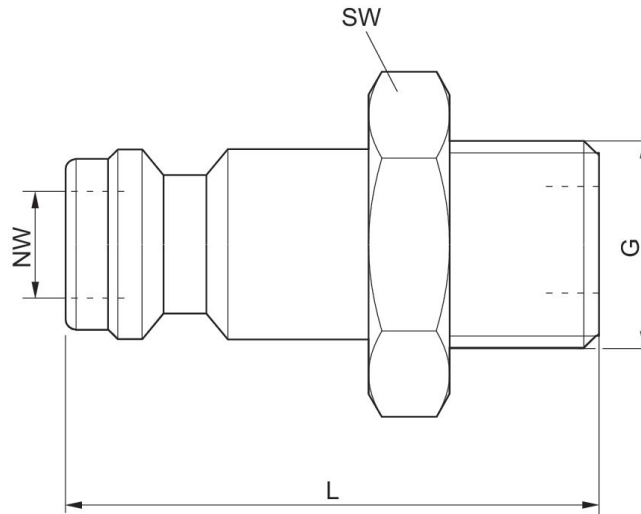
# Coupling plug with external thread

R412028882

Series CP1

2024-06-04

## Dimensions



Part No.	Port G	Nominal width NW	L	SW
R412028882	G 1/4	7,2 mm	33	17
1823351017	G 3/8	7,2 mm	33	19
1823351027	G 1/2	7,2 mm	35	24
1823351033	G 1/4	7,8 mm	33	17
1823351034	G 3/8	7,8 mm	33	19
1823351035	G 1/2	7,8 mm	35	24