

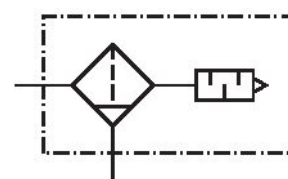
Oil separator, Series MU1

R412028128

General series information

Series MU1

- The AVENTICS Series MU1 components are ideal for applications in harsh environments. They offer large thread connections to guarantee a high compressed air flow rate and provide reliable filtration, regulation and lubrication.



Technical data

Industry	Industrial
Parts	Oil separator
Reservoir	Reservoir Polypropylene
Compressed air connection	G 1/2
Nominal flow Qn	9000 l/min
Working pressure min.	0 bar
Working pressure max	16 bar
Min. ambient temperature	-20 °C
Max. ambient temperature	120 °C
Medium	Compressed air Neutral gases
Function	filter silencer
Weight	0.46 kg

Material

Housing material	Aluminum
Material reservoir	Polypropylene
Part No.	R412028128

Technical information

Mounting with mounting bracket R412028134

Nominal flow Q_n at $p_1 = 6$ bar freely discharged.

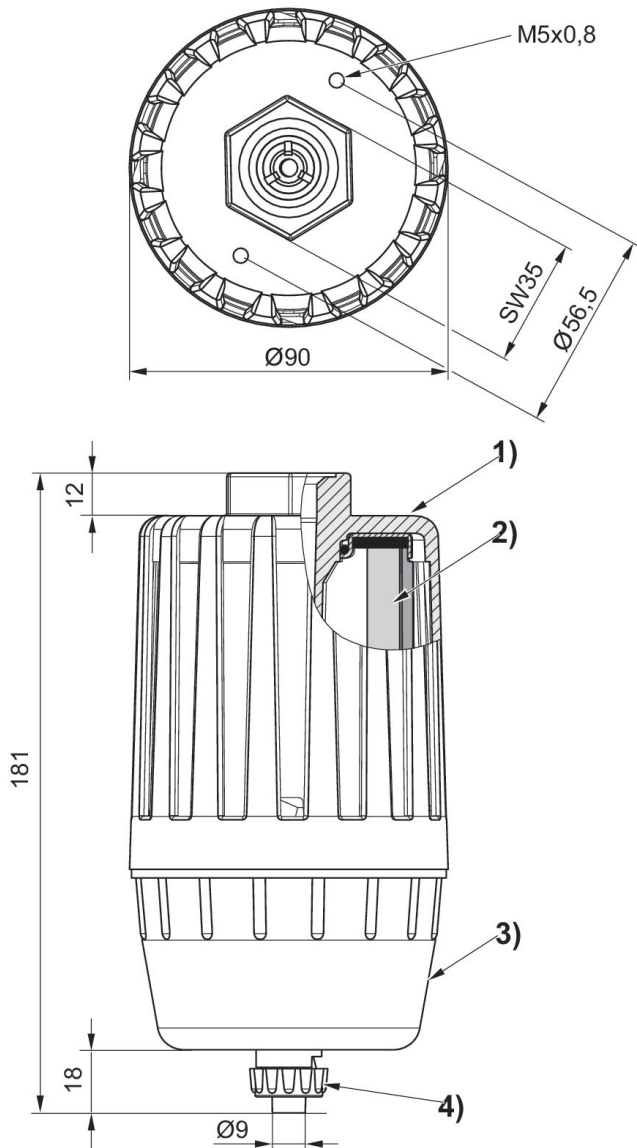
Residual oil content at the outlet at max. 900 l/min.: 0,01 mg/m³

The pressure dew point must be at least 15 °C less than ambient and medium temperature and may not exceed 3 °C.

The oil content of compressed air must remain constant during the life cycle.

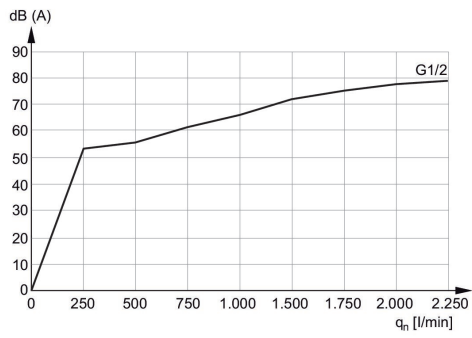
Use only the approved oils from AVENTICS. Further information can be found in the "Technical information" document (available in <https://www.emerson.com/en-us/support>).

Dimensions in mm



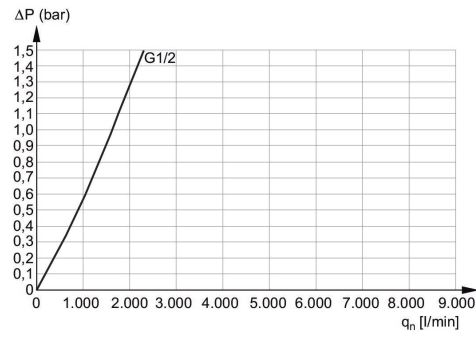
- 1) Housing
- 2) microfilter element
- 3) PC reservoir
- 4) Drain valve

noise emission



qn = Nominal flow

Flow rate characteristic, p2 = 0,05 - 7 bar



qn = Nominal flow