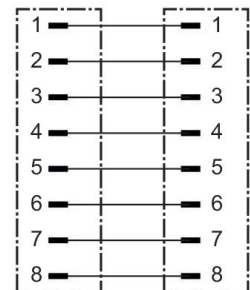


Round plug connectors with cable, Series CON-RD

R412027647

General series information
AVENTICS Series CON-RD Round plug
connectors with cable

- The AVENTICS Series CON-RD-with cable offers cables with round plug connectors for various types like M8x1, M12x1 or 7/8-16UNC and different cable length, optimized for our focused valves with M8x1 or M12x1 connection and electronic systems like AES and G3.



Technical data

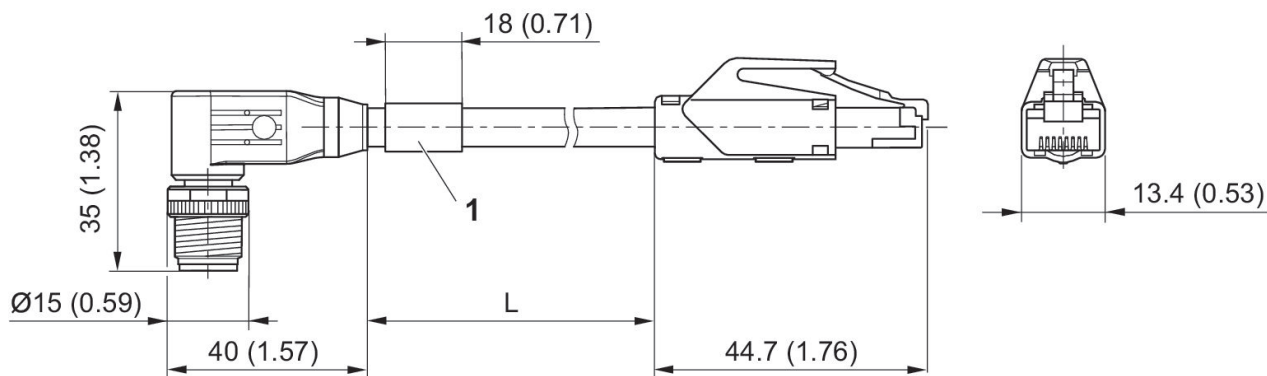
Industry	Industrial
Type	Round plug connectors
Operational voltage	60 V AC/DC
Operating voltage AC max.	60 V DC
Operating voltage DC, max.	60 V AC
Electrical connection 1, type	Plug
Electrical connection 1, thread size	M12x1
Electrical connection 1, number of poles	8-pin
Electrical connection 1, coding	X-coded
Cable exit 1	angled

Cable exit angle	90°
Electrical connection 2, type	Plug
Electrical connection 2, thread size	RJ45
Electrical connection 2, number of poles	8-pin
Electrical connection 2, coding	X-coded
Cable exit 2	straight
Shielding	shielded
Cable length	5 m
Protection class	IP66K
Min. ambient temperature	-25 °C
Max. ambient temperature	85 °C
Max. current	0.5 A
Wire cross-section	0.14 mm ²

Material

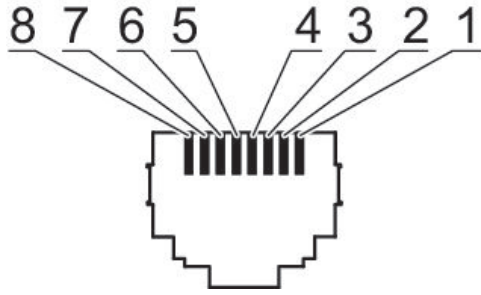
Material cable sheath	Polyurethane
Part No.	R412027647

Dimensions



1) Name plate

Plug pin assignment



Plug pin assignment

